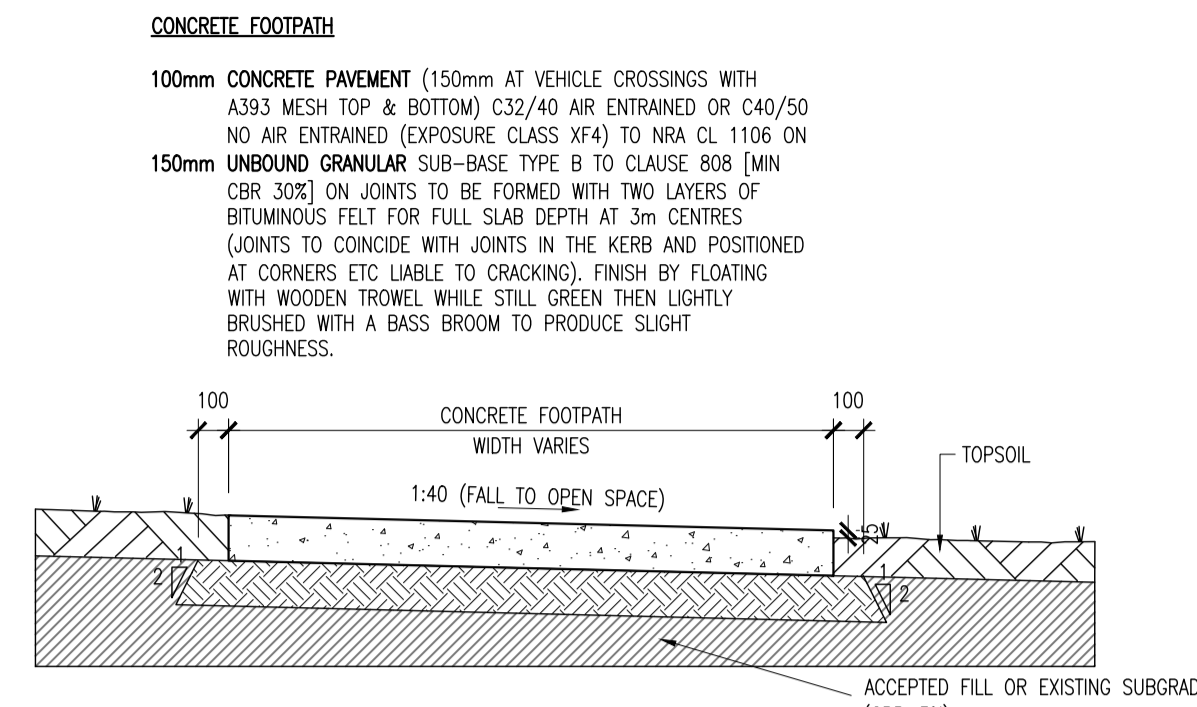


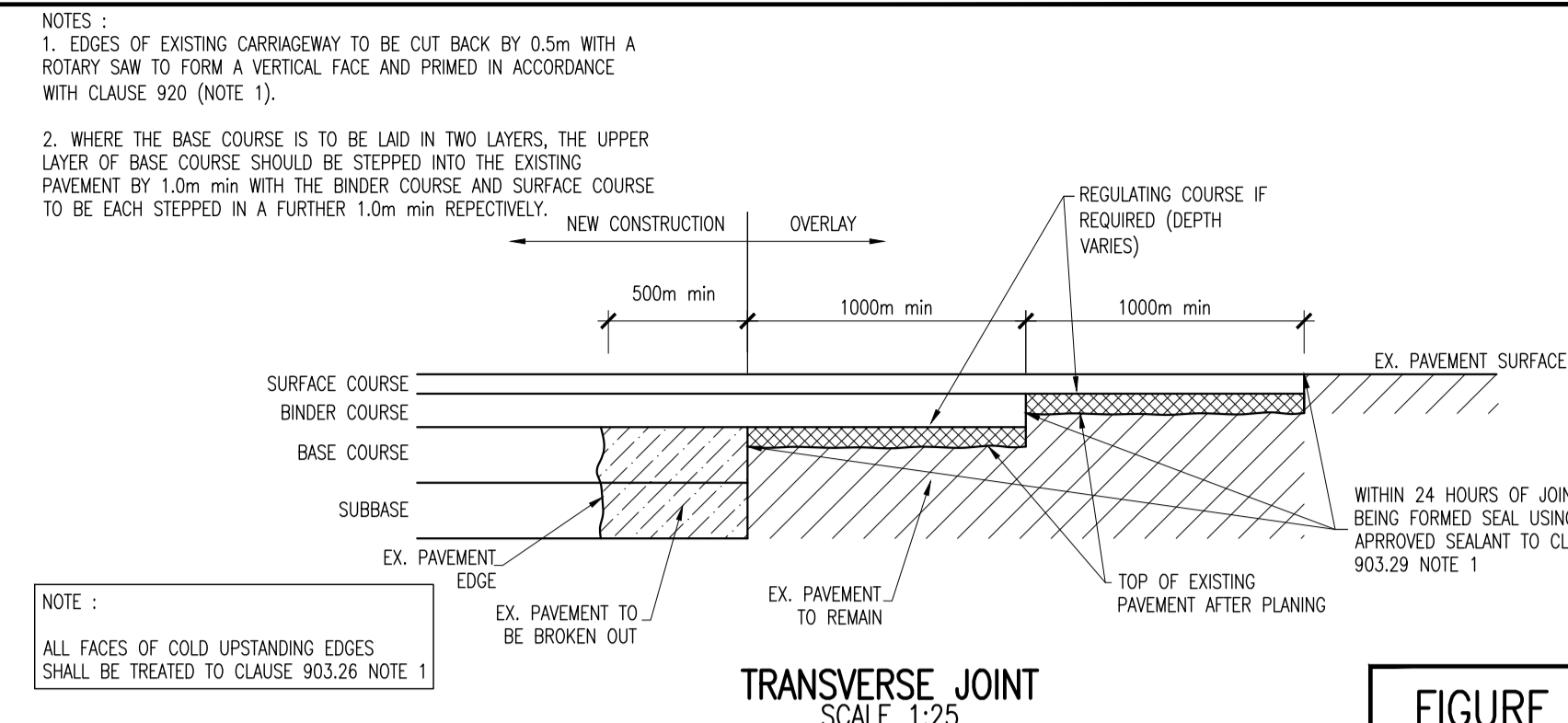
TYPICAL PERMEABLE PAVING DRIVEWAY CROSS-SECTION
SCALE 1:10

FIGURE 2A



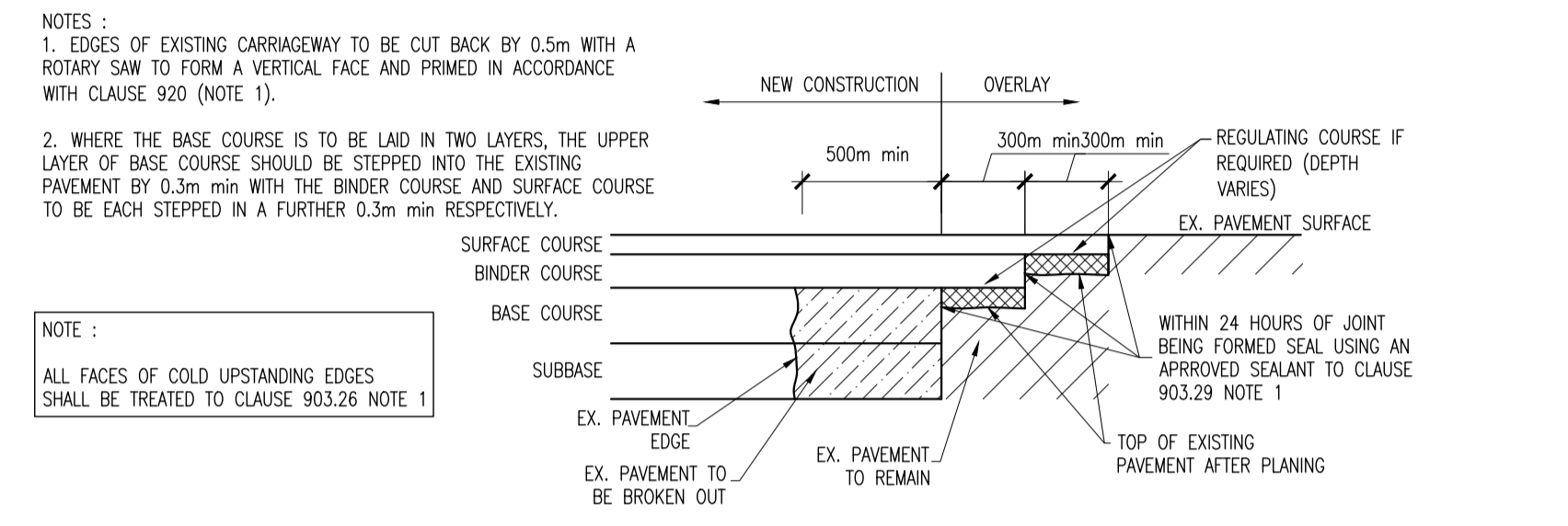
TYPICAL FOOTPATH CONSTRUCTION
SCALE 1:25

FIGURE 2B



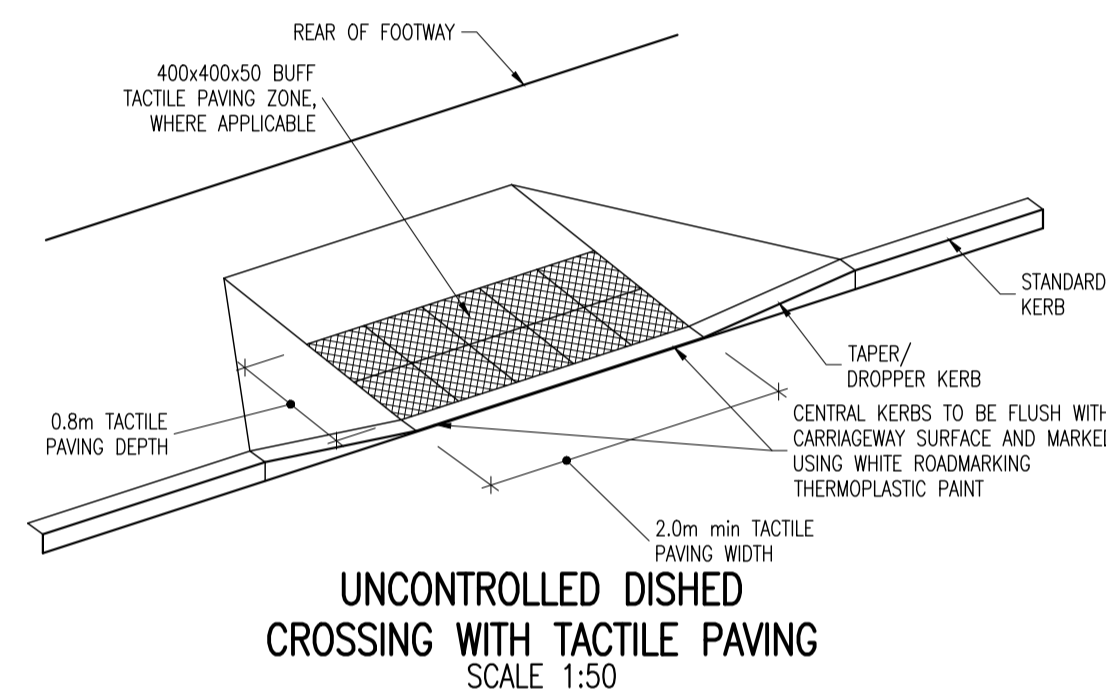
TRANSVERSE JOINT
SCALE 1:25

FIGURE 2C

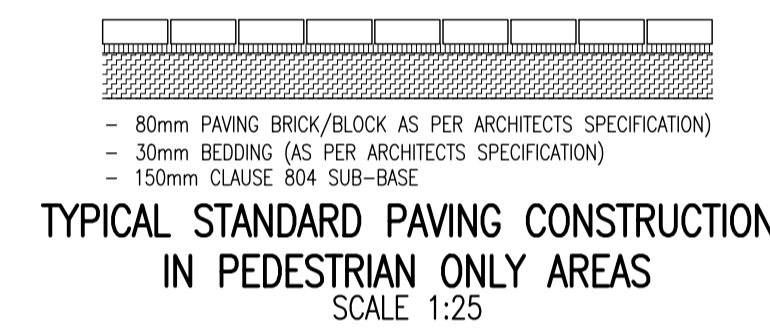


LONGITUDINAL JOINT DETAIL
SCALE 1:25

FIGURE 2D

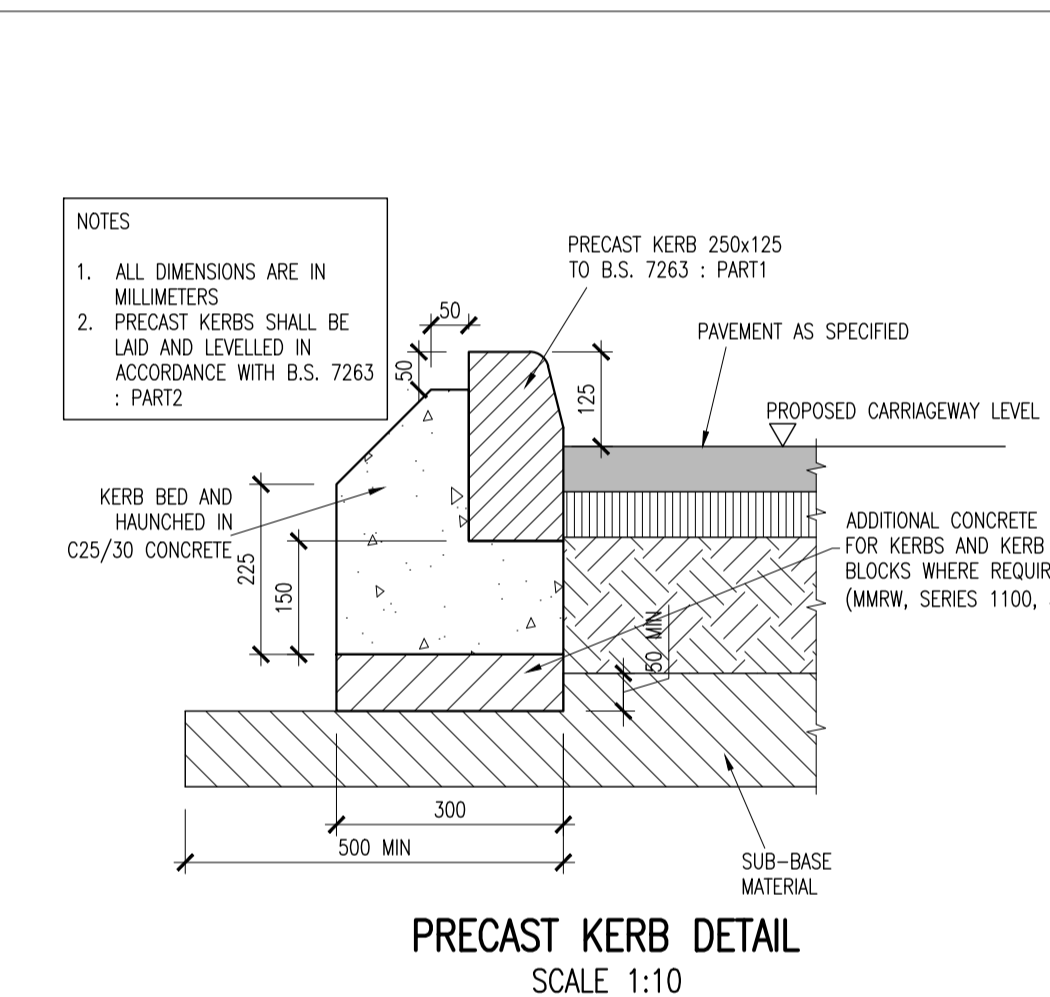


UNCONTROLLED DISHED
CROSSING WITH TACTILE PAVING
SCALE 1:50



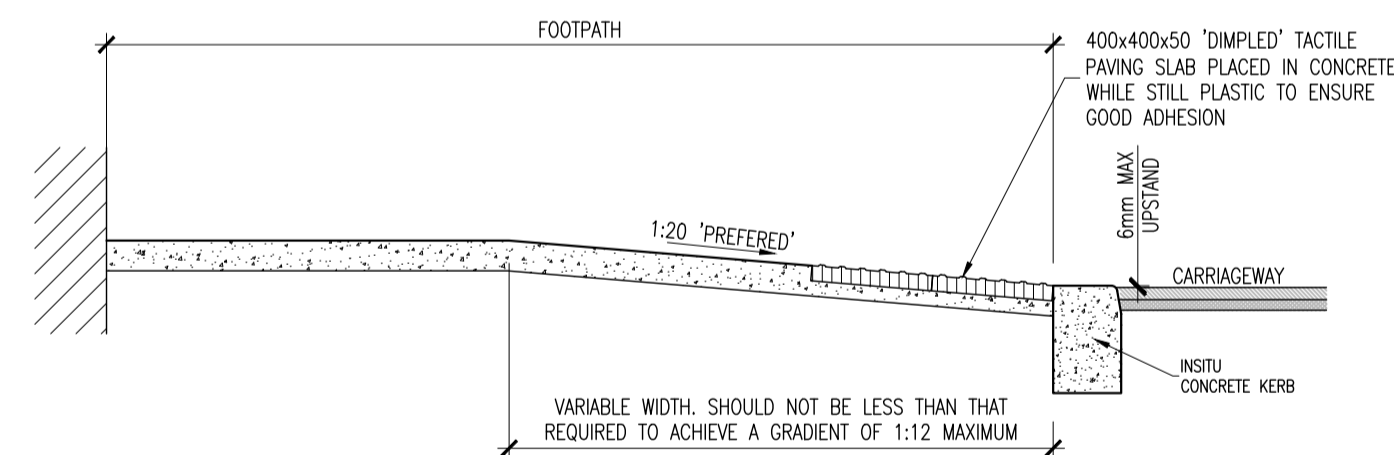
TYPICAL STANDARD PAVING CONSTRUCTION
IN PEDESTRIAN ONLY AREAS
SCALE 1:25

FIGURE 2F



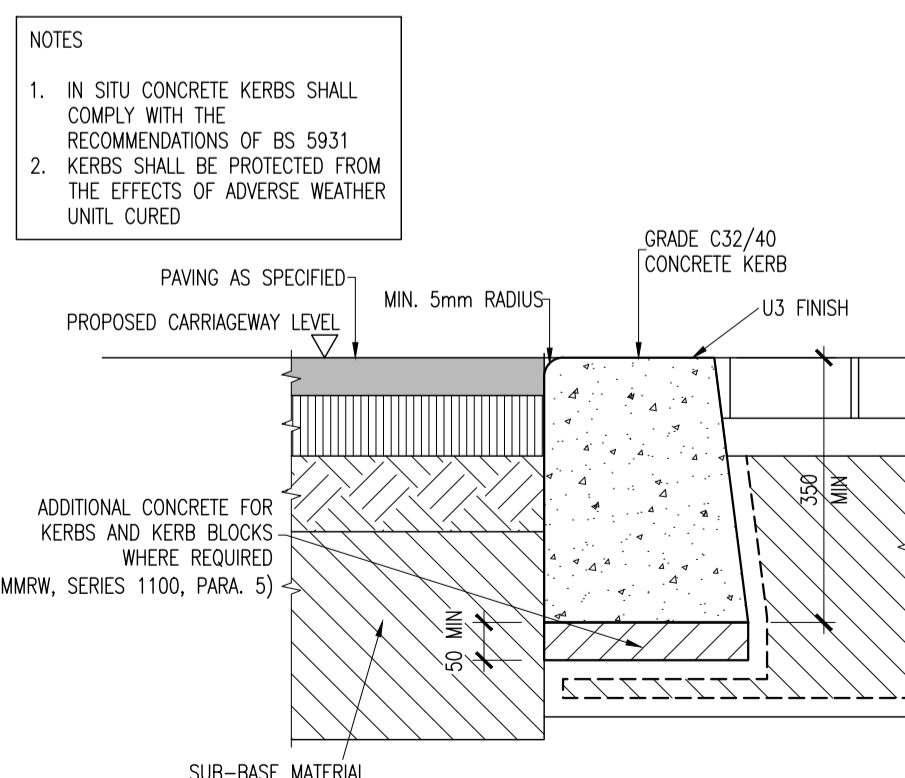
PRECAST KERB DETAIL
SCALE 1:10

FIGURE 2G



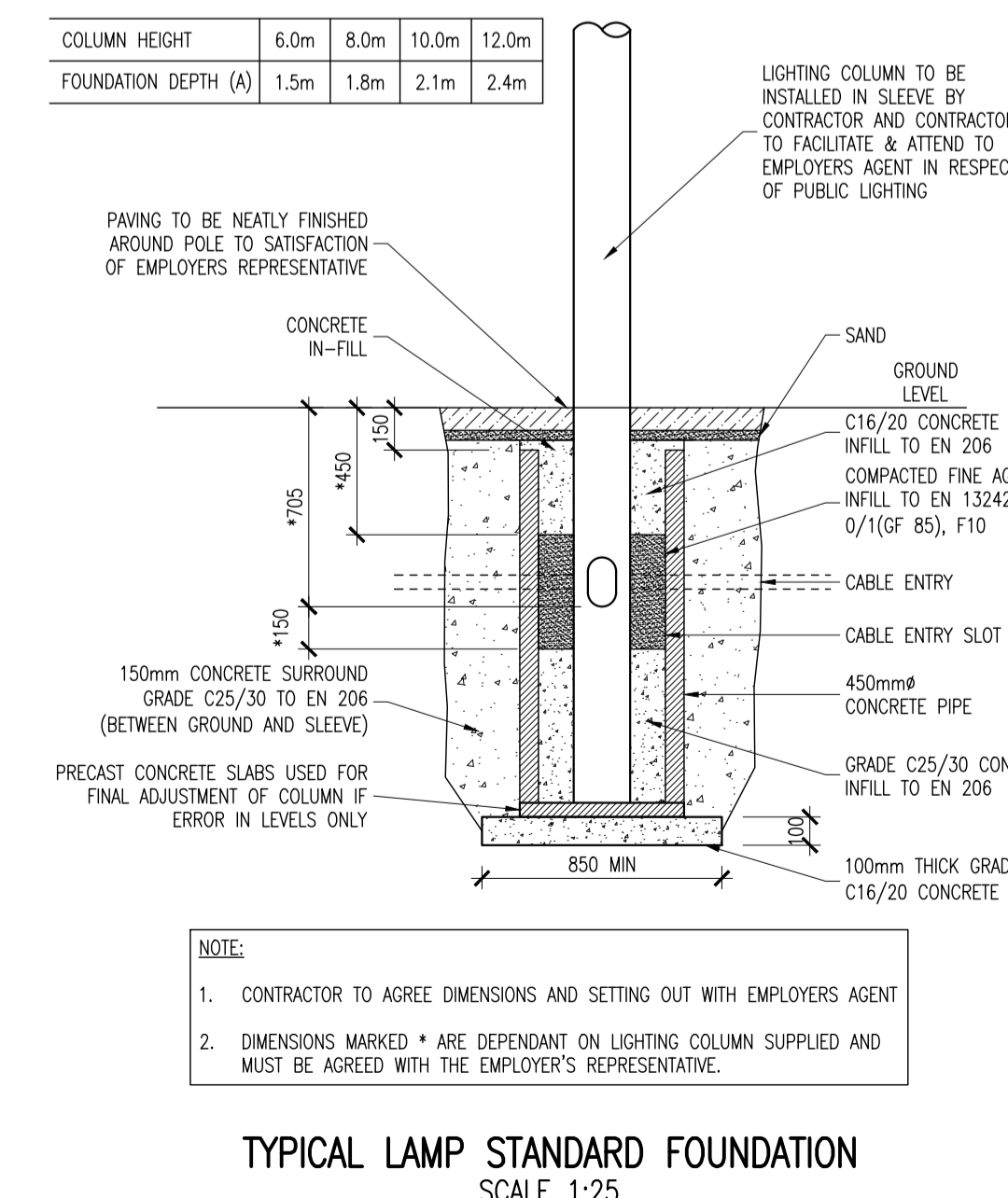
TYPICAL SECTION THROUGH DISHED CROSSING
SCALE 1:25

FIGURE 2E



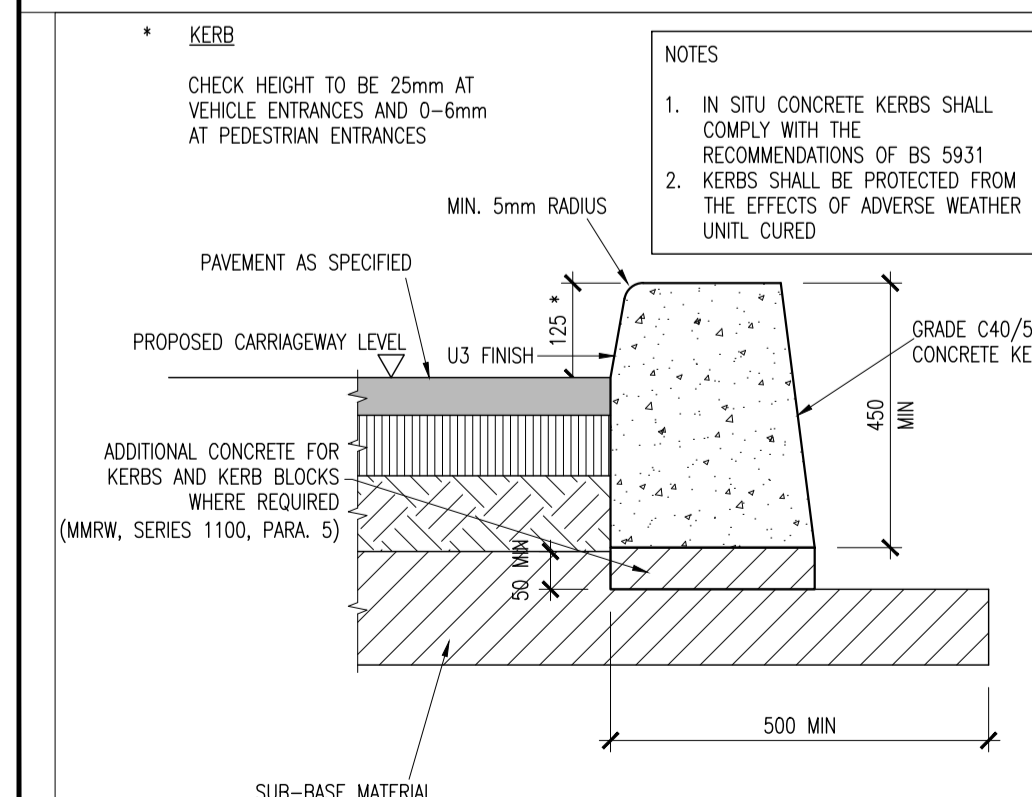
FLUSH KERB DETAIL
SCALE 1:10

FIGURE 2K



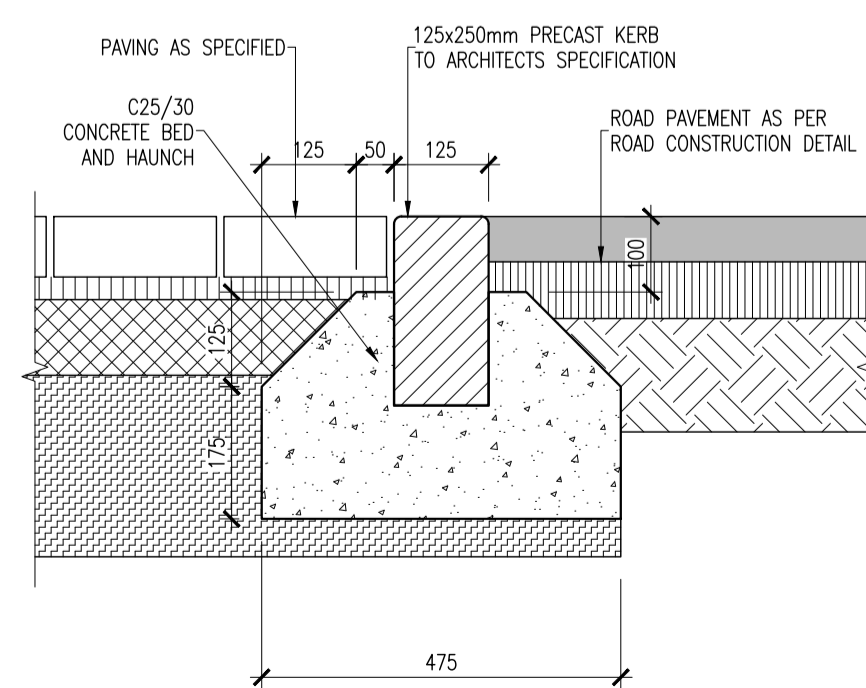
TYPICAL LAMP STANDARD FOUNDATION
SCALE 1:25

FIGURE 2L



INSITU CONCRETE KERB DETAIL
SCALE 1:10

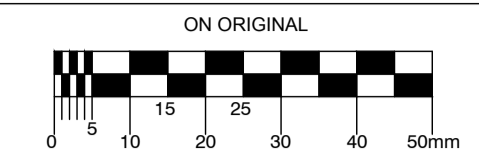
FIGURE 2H



EDGE KERB DETAIL (DBM TO PAVING BLOCK)
SCALE 1:10

FIGURE 2J

© COPYRIGHT OF THIS DRAWING IS RESERVED BY DBFL CONSULTING ENGINEERS. NO PART SHALL BE REPRODUCED OR TRANSMITTED WITHOUT THEIR WRITTEN PERMISSION.



- NOTES:
- ALL WORKS TO BE CONSTRUCTED IN ACCORDANCE WITH THE NRA SPECIFICATION FOR ROAD WORKS UNLESS OVERRIDDEN BY LOCAL OVERSEEING AUTHORITY'S STANDARDS
 - SUB-BASE MATERIAL SHALL COMPLY WITH CLAUSE 808 GRANULAR MATERIAL TYPE B OF NRA'S SPECIFICATION FOR ROAD WORKS (SRM) & SHALL SATISFY THE REQUIREMENTS OF TABLE 6/4 & 6/2.
 - SUB FORMATION & CAPPING MATERIAL SHALL COMPLY WITH CLAUSE 613 OF THE NRA'S SPECIFICATION FOR ROAD WORKS & SHALL SATISFY THE REQUIREMENTS OF TABLE 6/1 & 6/2.
 - STONE BLINDING WITH 2-6.5mm AGGREGATE SHALL MEET THE FOLLOWING GRADINGS, IN ACCORDANCE WITH IS EN 13242
- | BS SIEVE SIZE (mm) | % BY MASS PASSING |
|--------------------|-------------------|
| 14 | 100 |
| 10 | 98-100 |
| 6.3 | 80-99 |
| 2.0 | 0-20 |
| 1.0 | 0-5 |
- CRUSHED STONE WITH 4-20mm AGGREGATE SHALL MEET THE FOLLOWING GRADINGS, IN ACCORDANCE WITH IS EN 13242
- | BS SIEVE SIZE (mm) | % BY MASS PASSING |
|--------------------|-------------------|
| 40 | 100 |
| 31.5 | 98-100 |
| 20 | 90-99 |
| 10 | 25-70 |
| 4 | 0-15 |
| 5 | 0-5 |
- ANY ROADS PROPOSED TO BE USED FOR CONSTRUCTION TRAFFIC ARE TO HAVE INCREASED DEPTH OF SUB-BASE FOR THE DURATION OF CONSTRUCTION IN ACCORDANCE WITH DBFL SPECIFICATIONS.
 - ALL WORKS SHALL BE COMPLETED IN ACCORDANCE WITH THE REQUIREMENTS OF THE LOCAL AUTHORITY.
 - ALL GEOGRIDS TO BE LAID IN ACCORDANCE WITH MANUFACTURERS SPECIFICATIONS.
 - ALL AGGREGATES PROPOSED FOR USE ON THIS SCHEME SHALL MEET FULLY THE REQUIREMENTS OF THE NRA SPECIFICATION FOR ROAD WORKS AND IN ADDITION THE REQUIREMENTS STATED IN STANDARD RECOMMENDATION S.R. 21:2014 GUIDANCE ON THE USE OF U.S. EN 13242:2002 #1:2007-AGGREGATES FOR UNBOUND AND HYDRAULICALLY BOUND MATERIALS FOR USE IN CIVIL ENGINEERING WORK AND ROAD CONSTRUCTION.

REV	DATE	DESCRIPTION	BY	CHKD
PLANNING				
DESIGNED	BK	PREPARED	GMC	
DATE	AUG 2019	CHECKED	DJR	

DBFL Dublin Office: Ormrod House, Upper Ormrod Quay, Dublin 7, Ireland. PHONE +353 1 400 4000 FAX +353 1 400 4050

Waterford Office: Unit 2, The Chandlers, 1-2 O'Connell Street, Waterford, Ireland. PHONE +353 51 308 500 FAX +353 51 844 913

DBFL Consulting Engineers email: info@dbfl.ie site: www.dbfl.ie

PROJECT
LANDS AT CLONMINCH, TULLAMORE, CO OFFALY

DRG. TITLE
TYPICAL ROAD CONSTRUCTION DETAILS SHEET 2

CLIENT
STEINFORT INVESTMENTS FUND

SCALE AS SHOWN @A1 FILE REF. 180002-2011
DRG. NO. 180002-2012