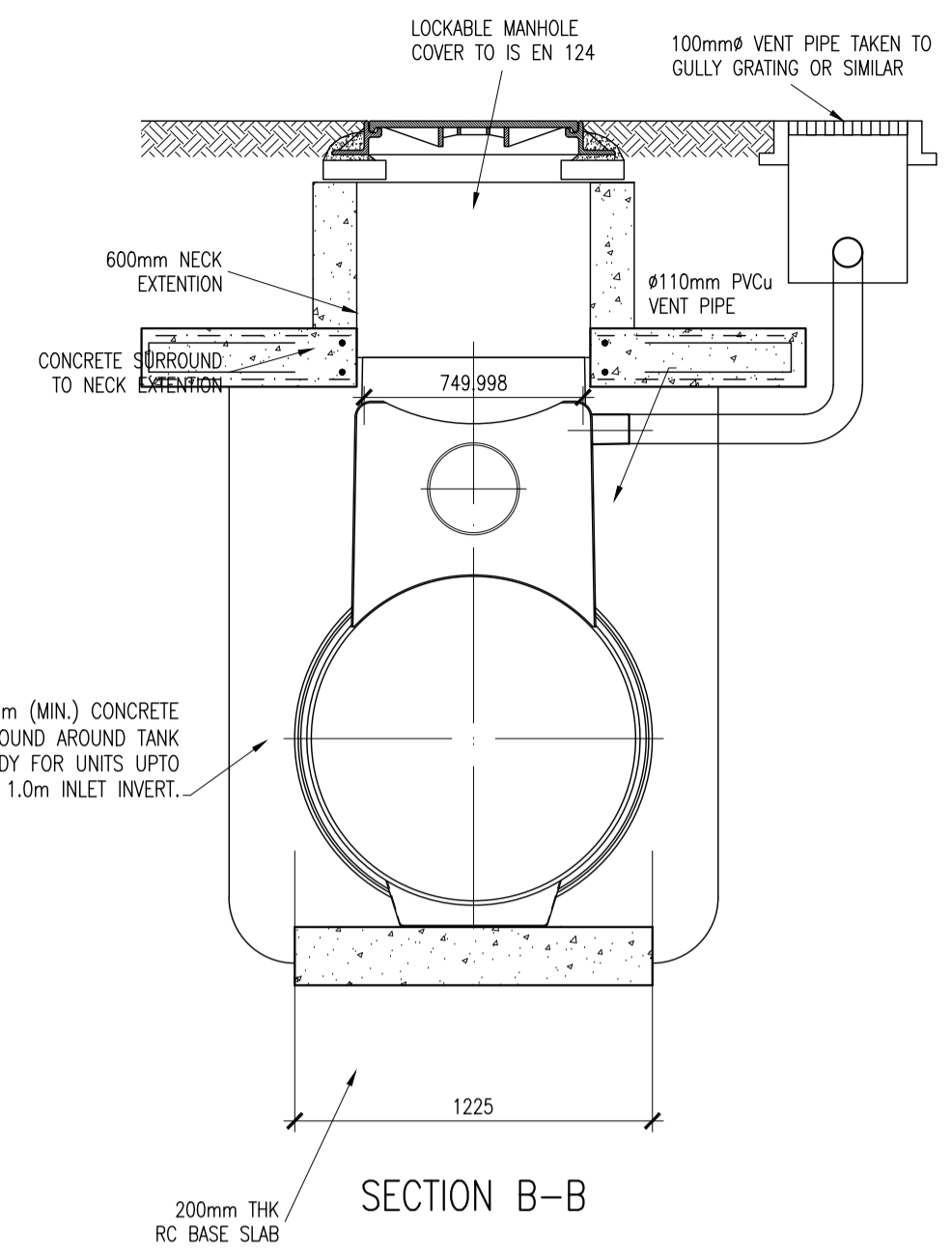
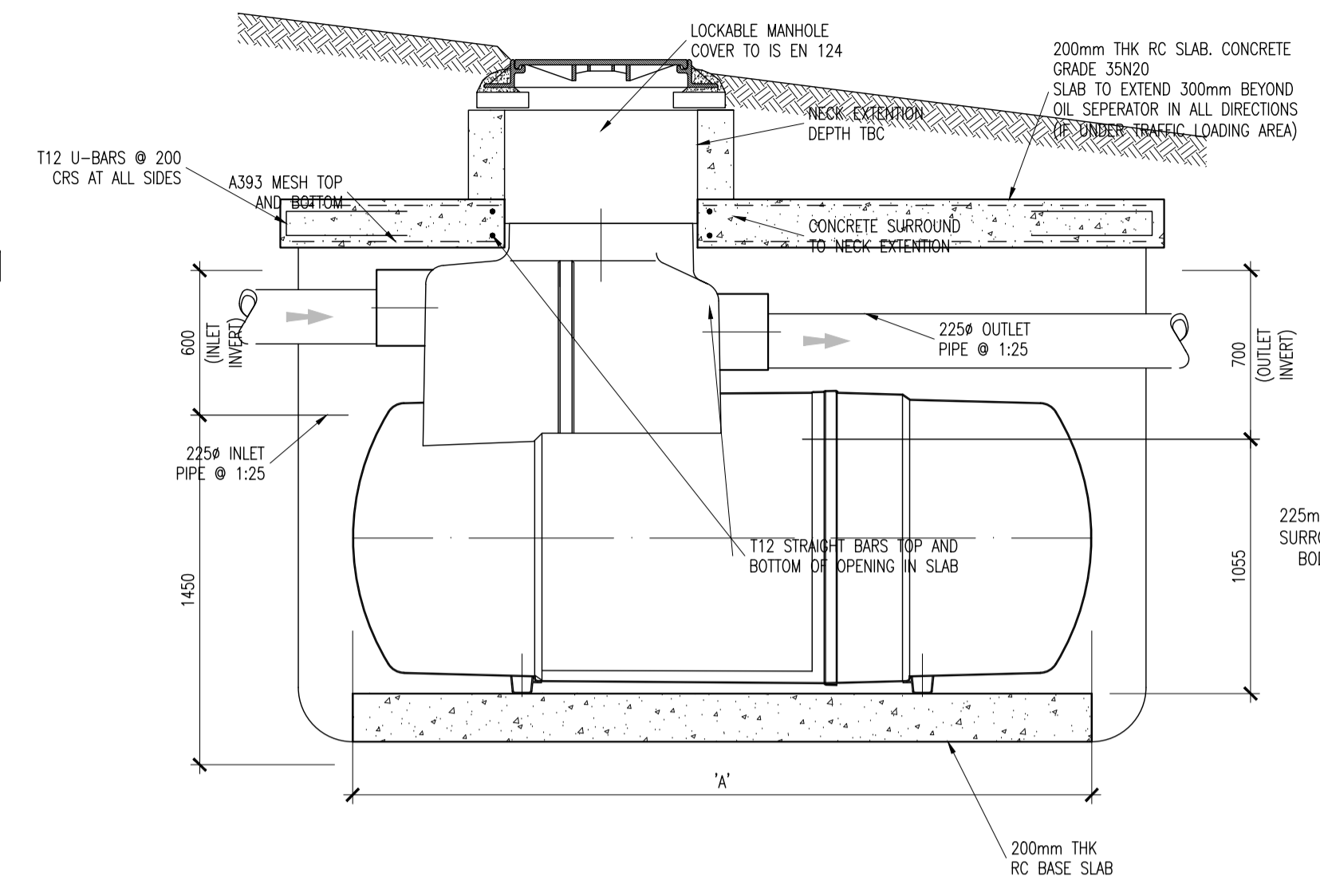


DIMENSIONS

UNIT REF No.	NOMINAL FLOW	LENGTH 'A' mm	DIAMETER 'B' mm	BASE TO INLET 'C' mm	STD. PIPE Ø	FALL ACROSS UNIT
NSBP020	20 L/S	3893	1220	1450	375	100
NSBE025	25 L/S	3575	1420	1680	375	100
NSBE030	30 L/S	4265	1420	1680	450	100



PETROL INTERCEPTOR DETAIL  
SCALE 1:25

SECTION A-A

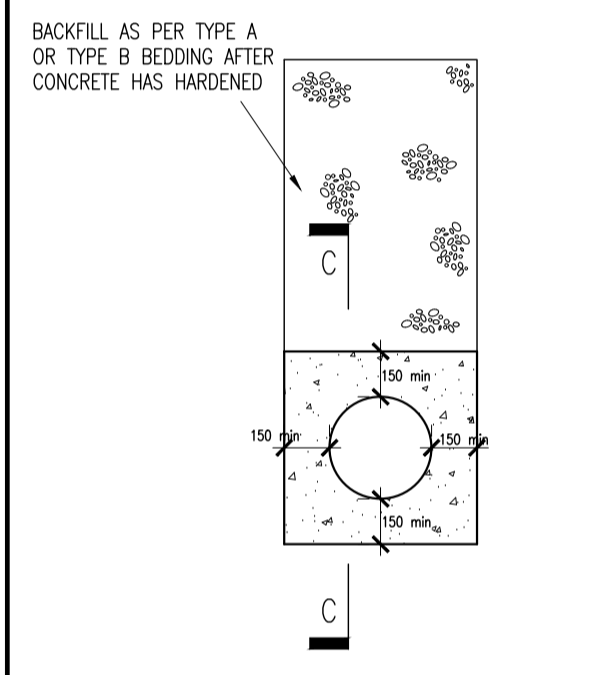
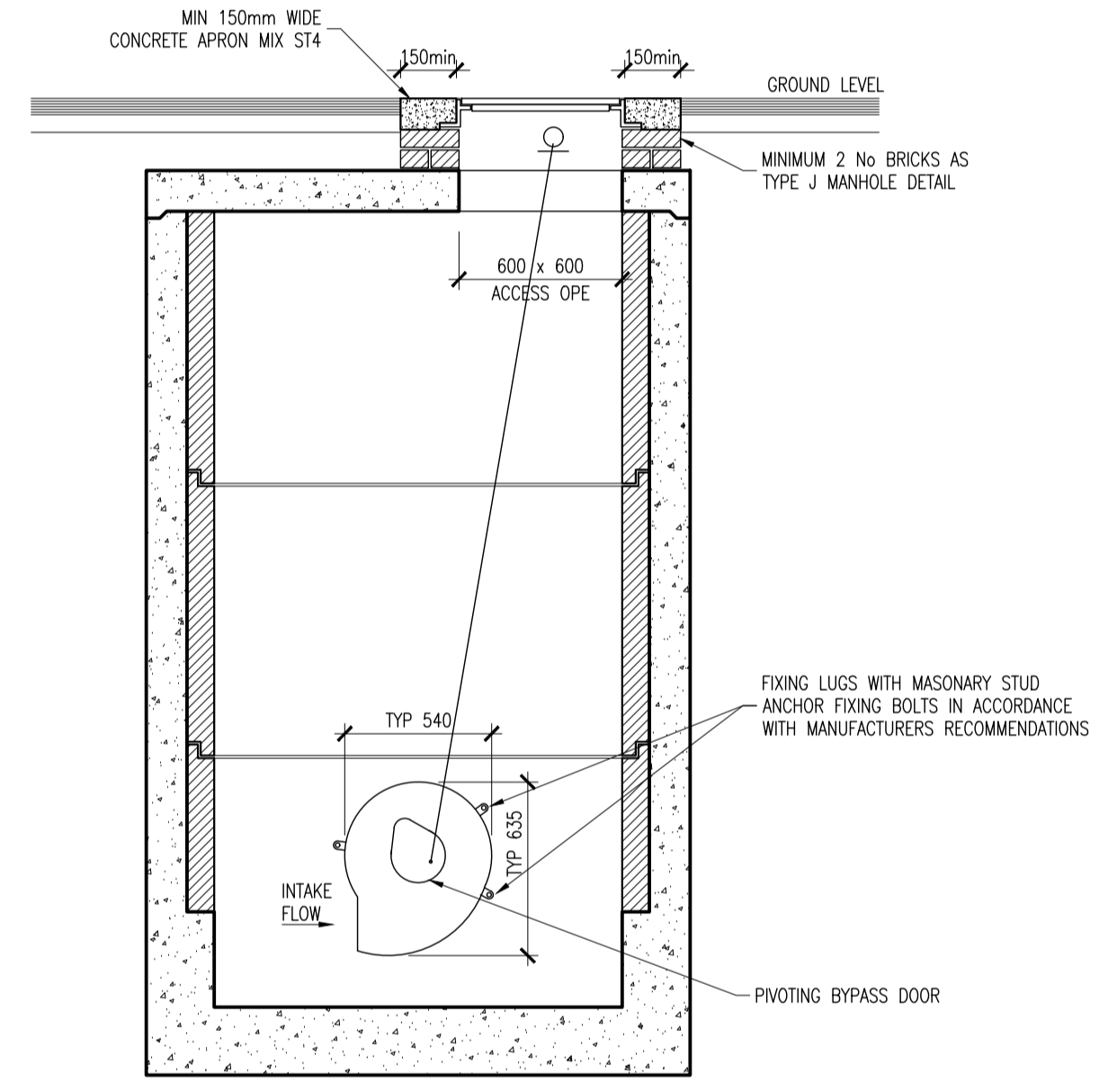
SECTION B-B

© COPYRIGHT OF THIS DRAWING IS RESERVED BY DBFL CONSULTING ENGINEERS. NO PART SHALL BE REPRODUCED OR TRANSMITTED WITHOUT THEIR WRITTEN PERMISSION.

ON ORIGINAL

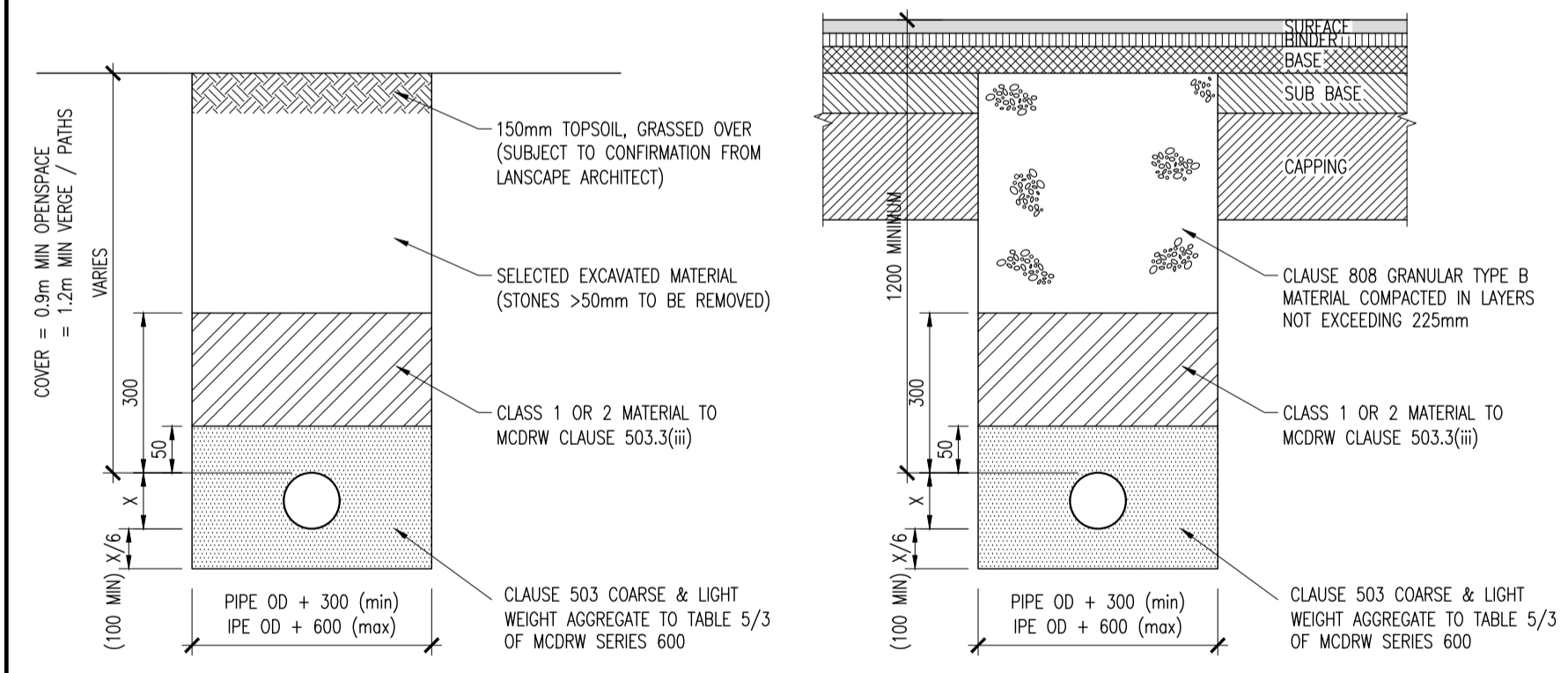
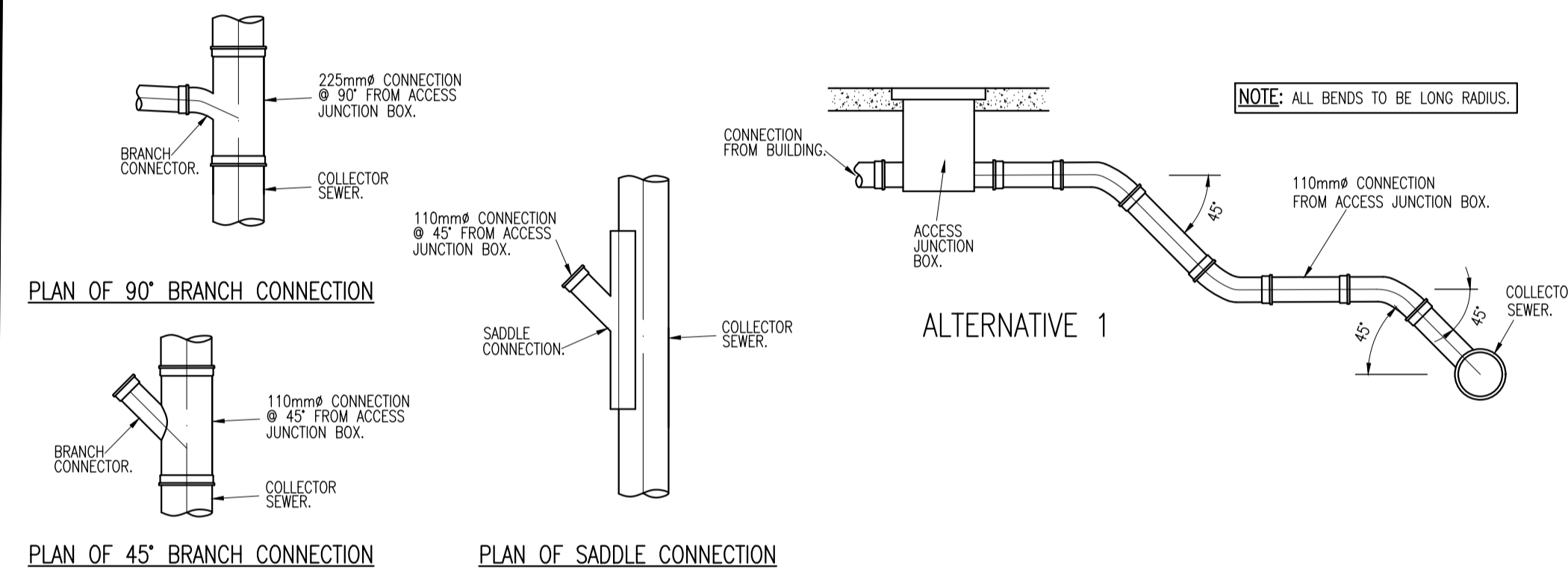
NOTES:

- WHERE ROCKS OR OTHER HARD TRENCH BOTTOM IS ENCOUNTERED, THE FIGURE DENOTED BY \* IS TO BE DOUBLED.
- TYPE 1 GRANULAR MATERIAL : BROKEN STONE OR GRAVEL TO PASS 10mm SIEVE AND BE RETAINED ON 5mm SIEVE.
- TYPE 2 GRANULAR MATERIAL : BROKEN STONE OR GRAVEL TO PASS 10mm - 25mm SIEVE, ACCORDING TO PIPE SIZE, (SEE TABLE) AND BE RETAINED ON 5mm SIEVE.
- CLAUSE 601 S.R.W. BACKFILL : UNIFORM READILY COMPACTED MATERIAL FREE FROM TREE ROOTS, VEGETABLE MATTER, BUILDING DEBRIS, AND FROZEN SOIL AND EXCLUDING CLAY LUMPS RETAINED ON A 75mm SIEVE AND STONES RETAINED ON A 37.5mm SIEVE.
- RIGID PIPES SHALL MEAN CAST OR SPUN IRON, CONCRETE OR CLAY.
- GULLY GRATINGS AND FRAMES SHALL COMPLY WITH THE REQUIREMENTS OF I.S./E.N./124 1994. GULLIES SHALL BE CLASS D400.
- GULLY WALLS SHALL BE CONSTRUCTED IN CLASS 30N/mm<sup>2</sup> PRECAST OR INSITU CONCRETE OR ALTERNATIVELY IN SOLID CONCRETE BLOCKS DESIGNATED S10, STRENGTH 10N/mm<sup>2</sup>
- ALL PIPES TO BE BEDDED IN ACCORDANCE WITH MANUFACTURERS RECOMMENDATIONS
- SURFACE WATER SEWERS TO BE CLASS H CONCRETE TO IS EN1916 AND IS 6 2004.



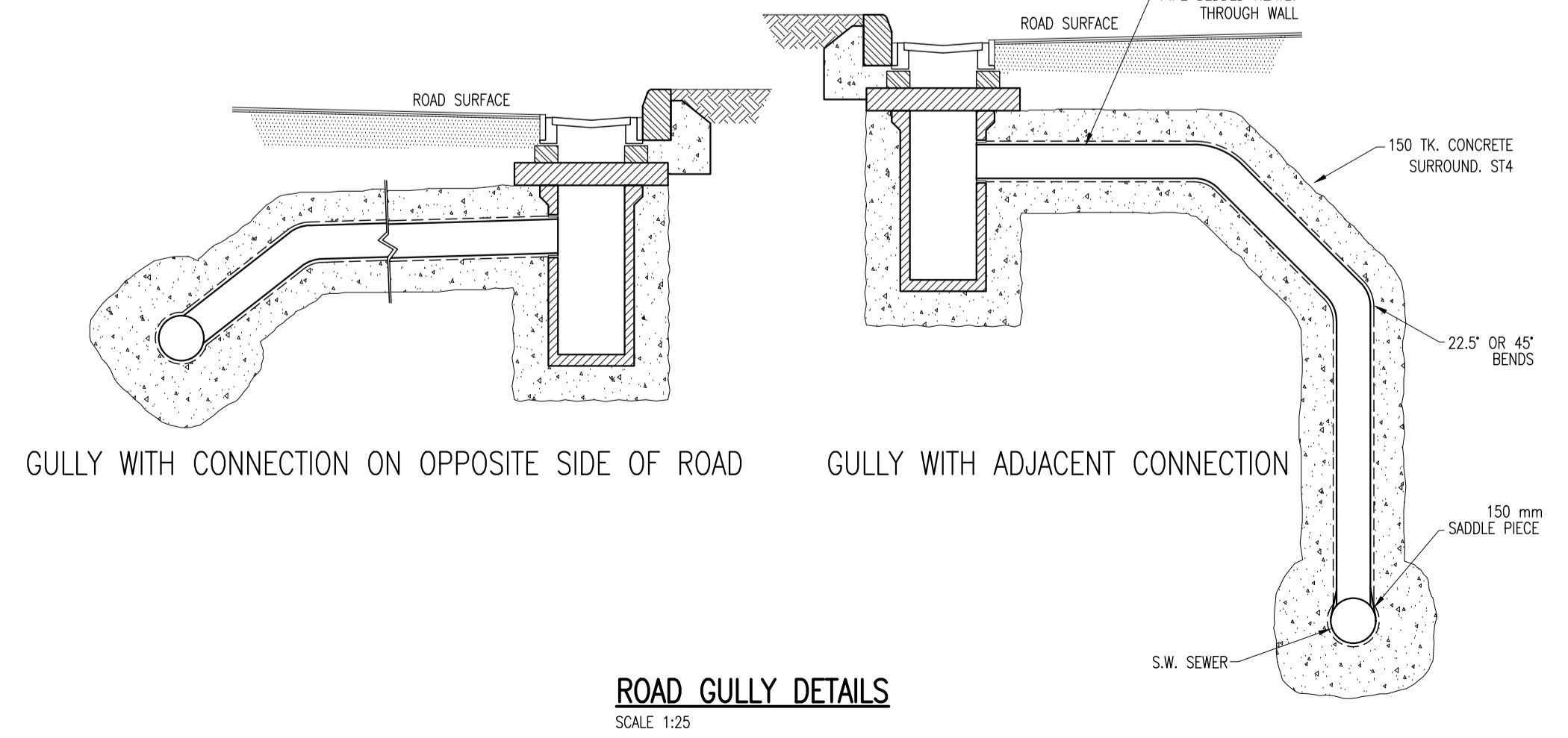
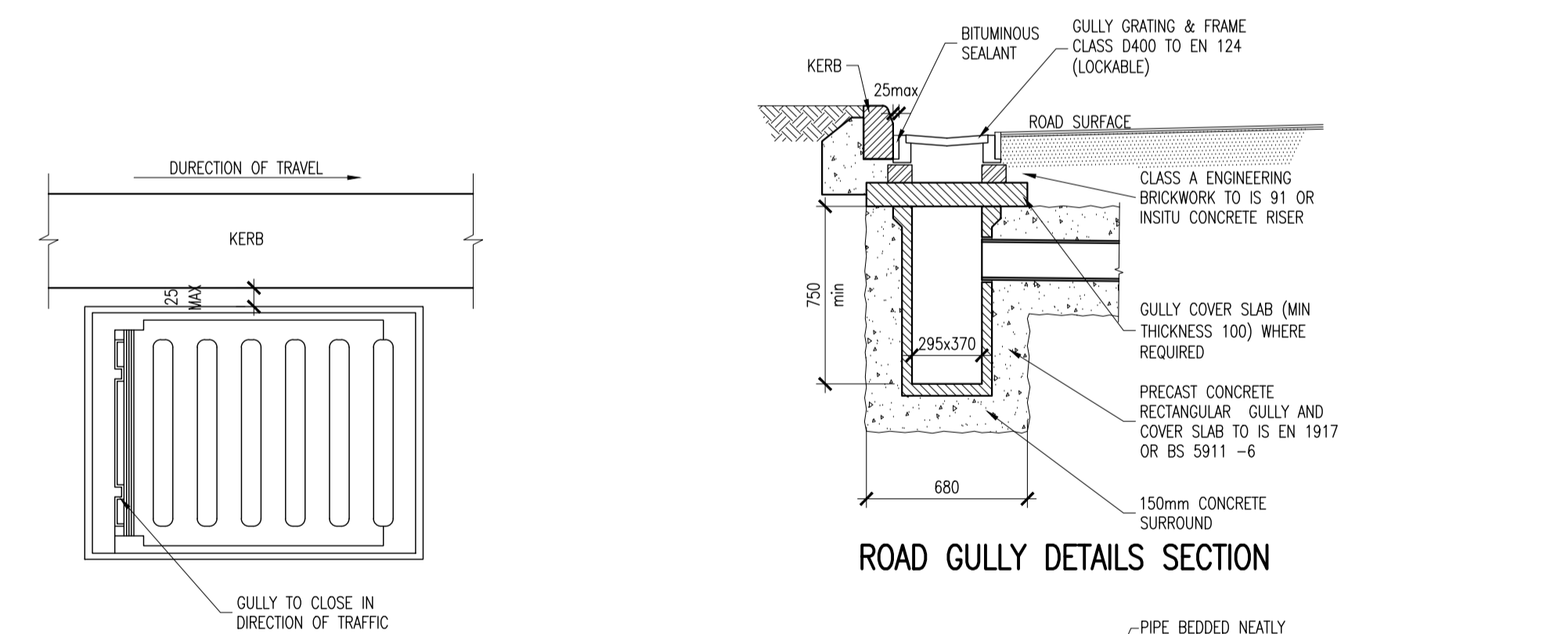
TYPE Z  
CONCRETE BEDDING/SURROUND  
(COVER 750mm - 1200mm)

RIGID PIPES : SURROUND



TYPE S  
(COVER > 1.2 METRES TO CROWN)

PIPE BEDDING DETAILS  
SCALE 1:25



FLOW CONTROL MANHOLE DETAIL  
SCALE 1:25

REV.	DATE	DESCRIPTION	BY	CHKD.
<b>PLANNING</b>				
DESIGNED	BK	PREPARED	GMC	
DATE	AUG	CHECKED	DJR	

DBFL Consulting Engineers

DBFL Consulting Engineers  
Upper Orchard Quay, Dublin 7, Ireland.  
PHONE +353 1 400 4000  
FAX +353 1 400 4050

WATERFORD Office Unit 2, The Chandlers,  
1-2 O'Connell Street, Waterford, Ireland.  
PHONE +353 51 308 500  
FAX +353 51 844 913

PROJECT  
**LANDS AT CLONMINCH,  
TULLAMORE, CO OFFALY**

DRG. TITLE  
**TYPICAL DRAINAGE  
CONSTRUCTION DETAILS  
SHEET 2**

CLIENT  
**STEINFORT INVESTMENTS  
FUND**

SCALE AS SHOWN @A1 FILE REF. 180002-3011

DRG. NO. 180002-3011