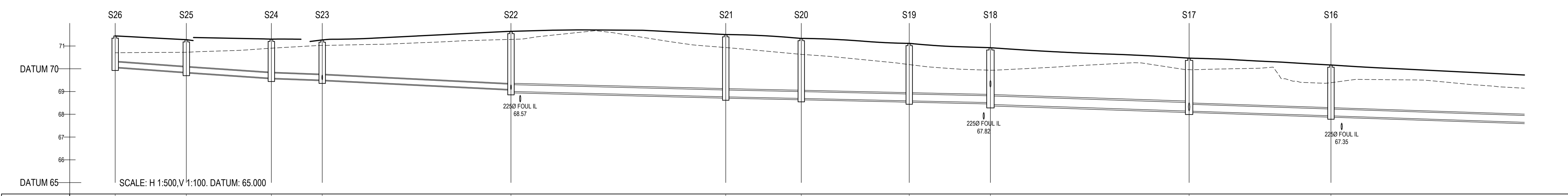
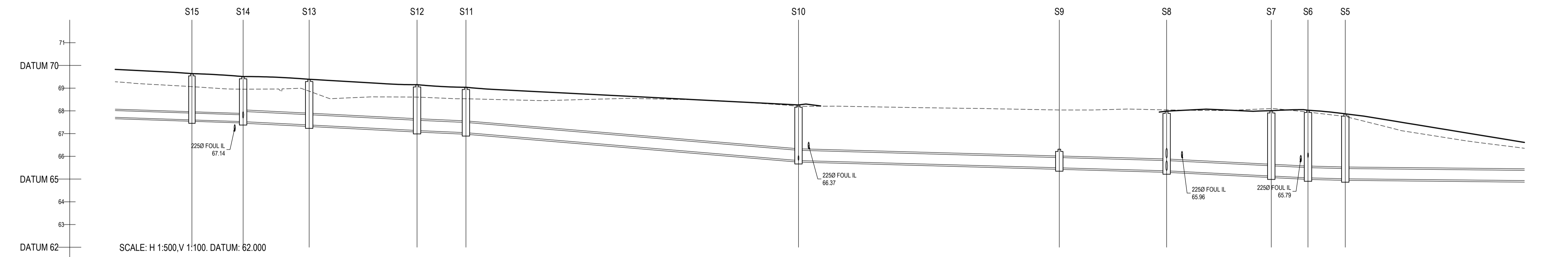


- NOTES:
- ALL DRAWINGS TO BE CHECKED BY CONTRACTOR ON SITE AND ENGINEER INFORMED OF DISCREPANCIES BEFORE WORK COMMENCES
  - ALL LEVELS ARE IN METRES AND ARE RELATED TO ORDNANCE DATUM
  - CONTRACTOR SHALL SATISFY HIMSELF AS TO THE ACCURACY OF PAVEMENT LEVELS ON SITE PRIOR TO COMMENCEMENT OF WORKS ON SITE
  - ALL WORKS TO BE CONSTRUCTED IN ACCORDANCE WITH THE NRA SPECIFICATION FOR ROAD WORKS UNLESS NOTED OTHERWISE
  - THIS DRAWING IS FOR PLANNING PURPOSES ONLY
  - MANHOLE COVER LEVELS ARE TO CONFORM WITH FINISHED ROAD AND PATH LEVELS
  - WHERE COVER TO PIPE IS LESS THAN 1200mm (ROAD/PATH/VERGE) OR 900mm (OPEN SPACE) SURROUND PIPE IN MINIMUM 150mm CONCRETE

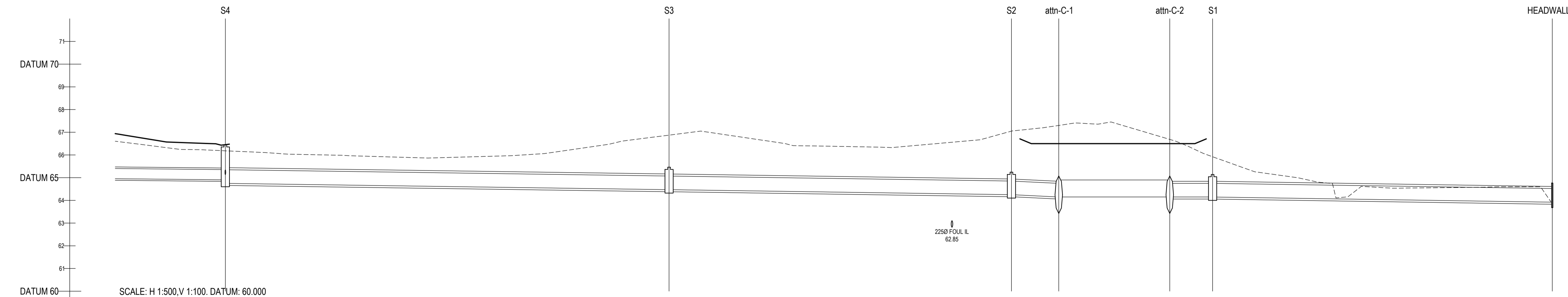
KEY  
 - - - - - EXISTING GROUND PROFILE  
 ——— PROPOSED GROUND PROFILE



COVER LEVEL	71.443	71.277	71.301	71.267	71.643	71.503	71.333	71.116	70.925	70.466	70.167	67.602
INVERT LEVEL	70.075	69.846	69.590	69.527	69.092	68.767	68.697	68.591	68.513	68.140	67.932	67.602
DEPTH (m)	1.368	1.431	1.711	1.760	2.540	2.796	2.636	2.525	2.494	2.336	2.235	0.000
DISTANCE (m)	15.65	18.71	11.19	41.52	16.62	23.75	17.86	43.70	31.20	49.45		
PIPE SLOPE	1.88	1.73	1.135	1.003	1.200	1.237	1.224	1.229	1.150	1.150	1.150	
PIPE SIZE	225mm	225mm	225mm	225mm	300mm	300mm	300mm	300mm	375mm	300mm	300mm	



COVER LEVEL	67.932	69.639	69.611	69.390	69.154	69.039	68.262	68.315	67.888	68.007	68.027	67.970	64.905
INVERT LEVEL	67.602	67.602	67.527	67.526	67.137	67.137	66.815	66.486	66.364	66.134	66.134	66.072	64.905
DEPTH (m)	2.037	1.985	2.090	2.017	1.998	2.447	0.0719	2.624	1.018	2.873	2.893	2.638	0.000
DISTANCE (m)	49.45	11.25	14.53	23.74	10.75	73.15	57.37	23.61	23.02	8.08	8.20	53.65	
PIPE SLOPE	1.150	1.150	1.100	1.100	1.112	1.180	1.179	1.179	1.100	1.100	1.195	1.502	
PIPE SIZE	300mm	300mm	450mm	450mm	450mm	450mm	450mm	450mm	450mm	450mm	450mm	450mm	



COVER LEVEL	66.463	66.462	66.242	66.074	66.074	66.540	64.763
INVERT LEVEL	65.072	64.750	64.149	64.149	64.149	64.149	63.922
DEPTH (m)	1.703	0.991	0.991	0.991	0.991	0.991	0.991
DISTANCE (m)	53.65	97.61	75.31	10.41	24.41	9.43	74.71
PIPE SLOPE	1.502	1.350	1.342	1.102	Horizontal	Horizontal	1.328
PIPE SIZE	450mm	600mm	600mm	600mm	1250mm	600mm	600mm

REV.	DATE	DESCRIPTION	BY	CHKD.
<b>PLANNING</b>				
DESIGNED	xxx	PREPARED	xxx	
DATE	MMM YYYY	CHECKED	xxx	

DBFL Consulting Engineers  
 Dublin Office: Ormrod House, Upper Ormrod Quay, Dublin 7, Ireland. PHONE +353 1 400 4000 FAX +353 1 400 4050  
 WATERFORD OFFICE: Unit 2, The Chandlery, 1-2 O'Connell Street, Waterford, Ireland. PHONE +353 51 308 500 FAX +353 51 844 913  
 Email: info@dbfl.ie site: www.dbfl.ie

PROJECT  
**LANDS AT CLONMINCH, TULLAMORE, CO OFFALY**

DRG. TITLE  
**LONGITUDINAL SECTIONS THROUGH SURFACE WATER SHEET 1**

CLIENT  
**STEINFORT INVESTMENTS FUND**

SCALE	FILL IN @A1	FILE REF.	180002-3020
DRG. NO.	180002-3021		