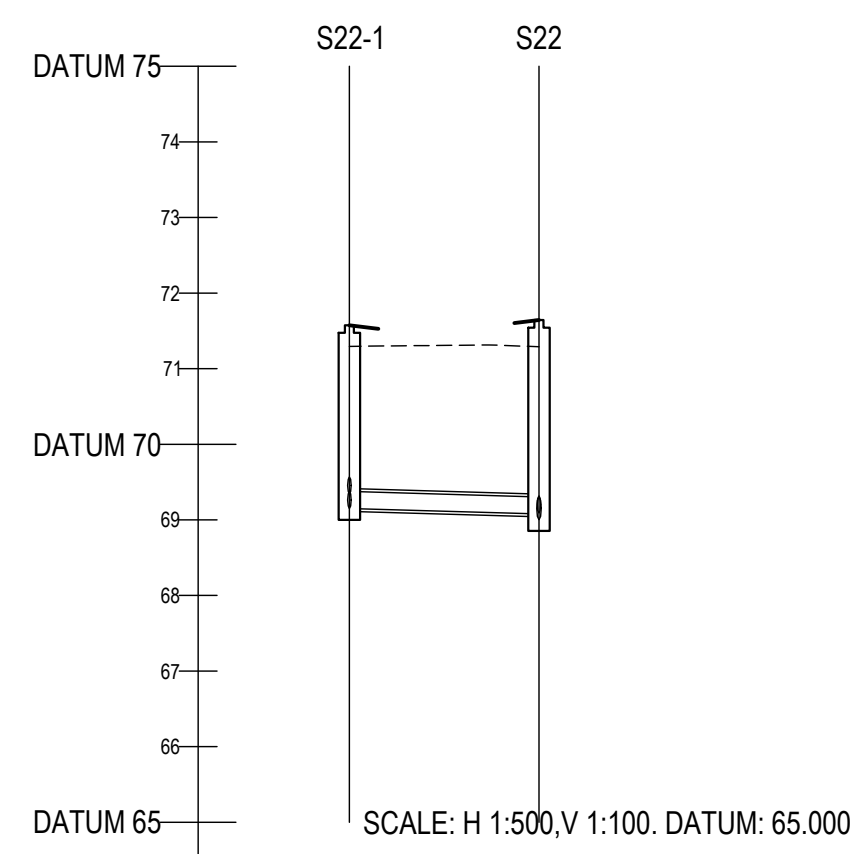
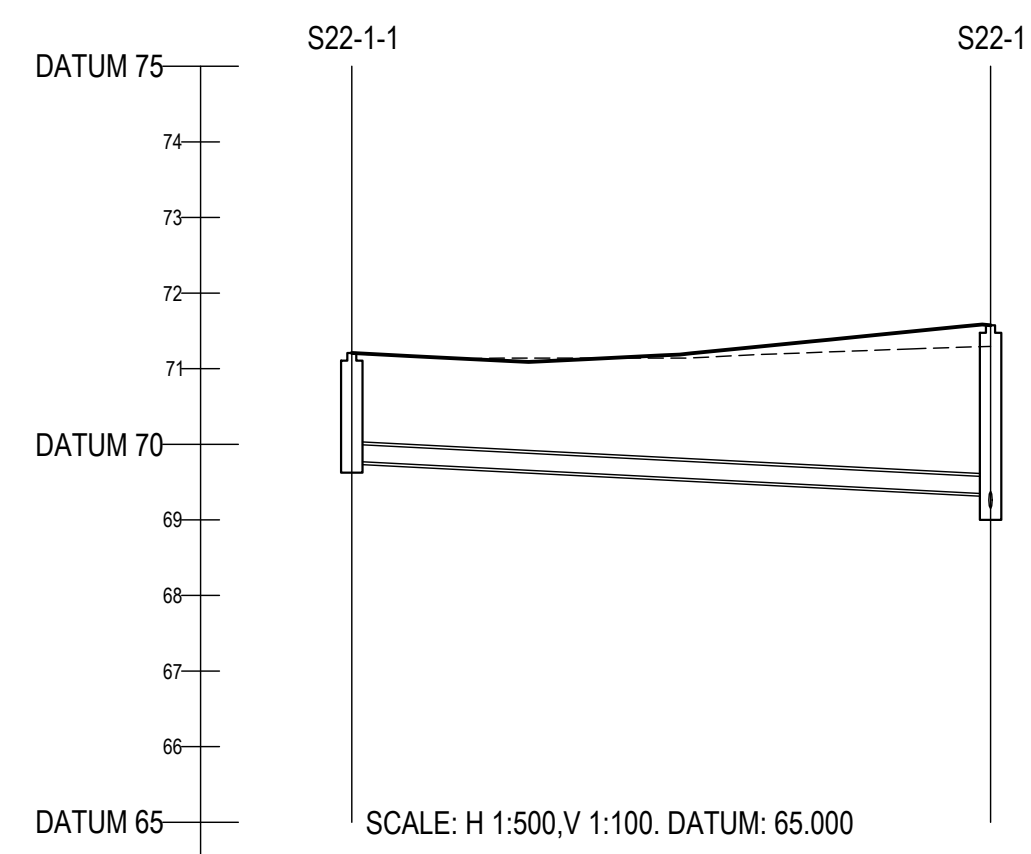


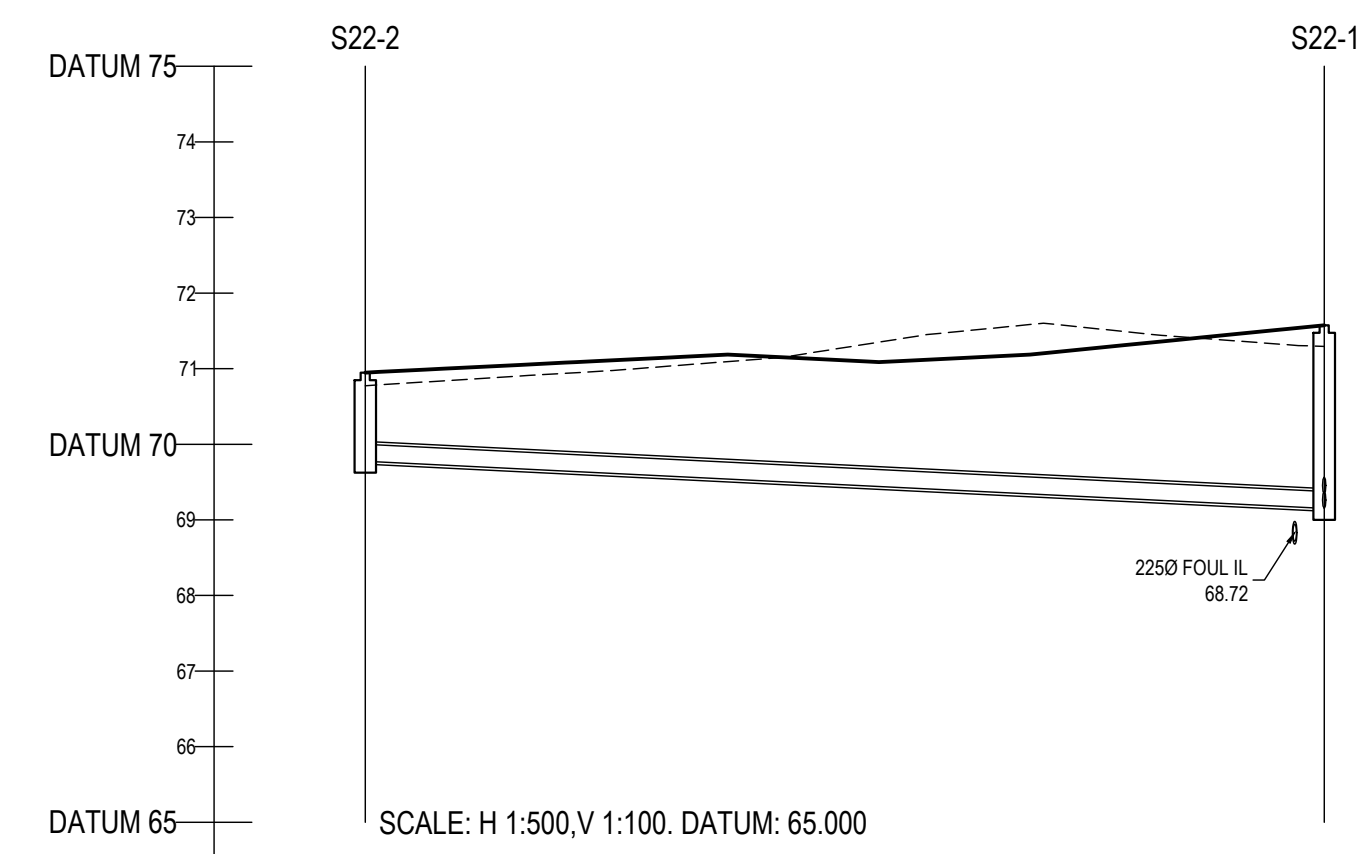
| | | |
|--------------|--------|--------|
| COVER LEVEL | 71.074 | 71.287 |
| INVERT LEVEL | 69.507 | 69.507 |
| DEPTH (m) | 1.567 | 1.780 |
| DISTANCE (m) | 21.81 | |
| PIPE SLOPE | 1:81 | |
| PIPE SIZE | 225mm | |



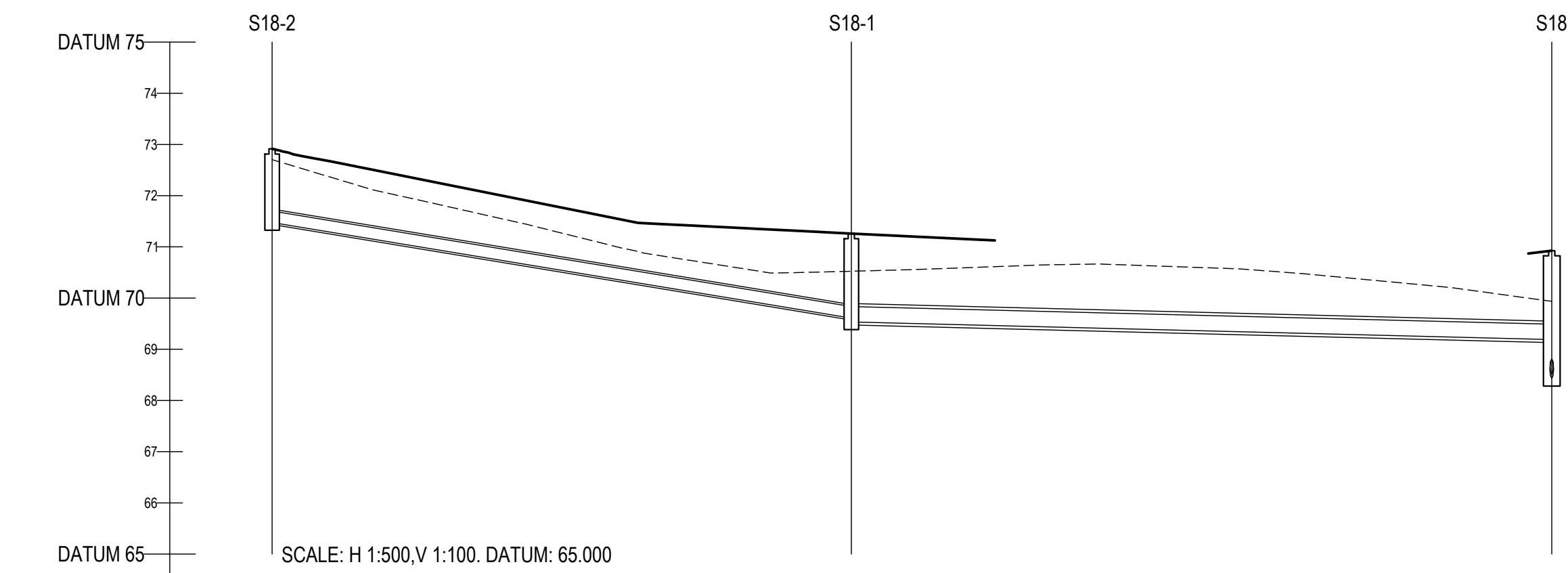
| | | |
|--------------|--------|--------|
| COVER LEVEL | 71.574 | 71.643 |
| INVERT LEVEL | 68.078 | 68.078 |
| DEPTH (m) | 2.496 | 2.565 |
| DISTANCE (m) | 12.54 | |
| PIPE SLOPE | 1:172 | |
| PIPE SIZE | 225mm | |



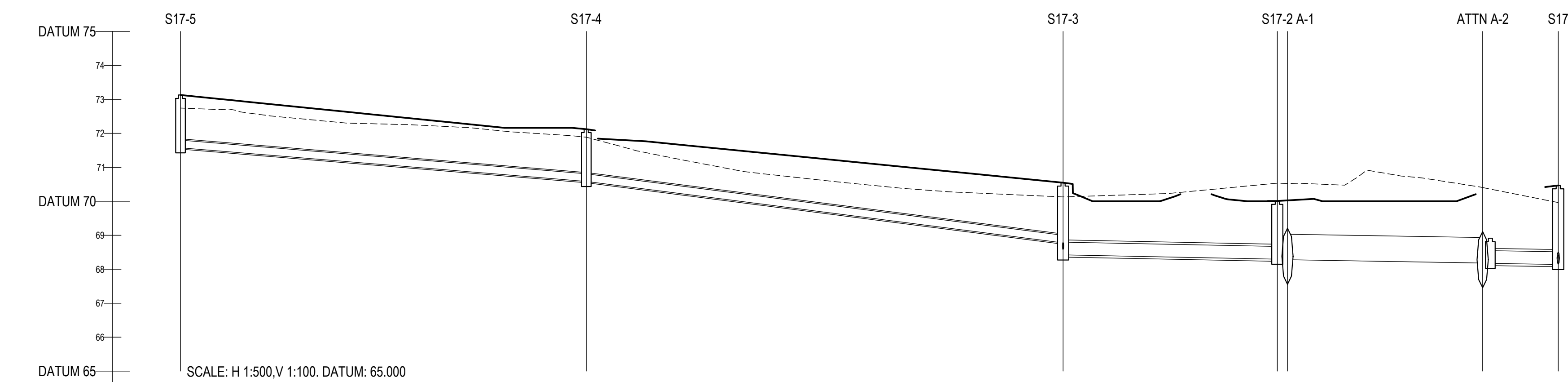
| | | |
|--------------|--------|--------|
| COVER LEVEL | 71.207 | 71.574 |
| INVERT LEVEL | 68.343 | 68.343 |
| DEPTH (m) | 2.864 | 3.231 |
| DISTANCE (m) | 42.24 | |
| PIPE SLOPE | 1:98 | |
| PIPE SIZE | 225mm | |



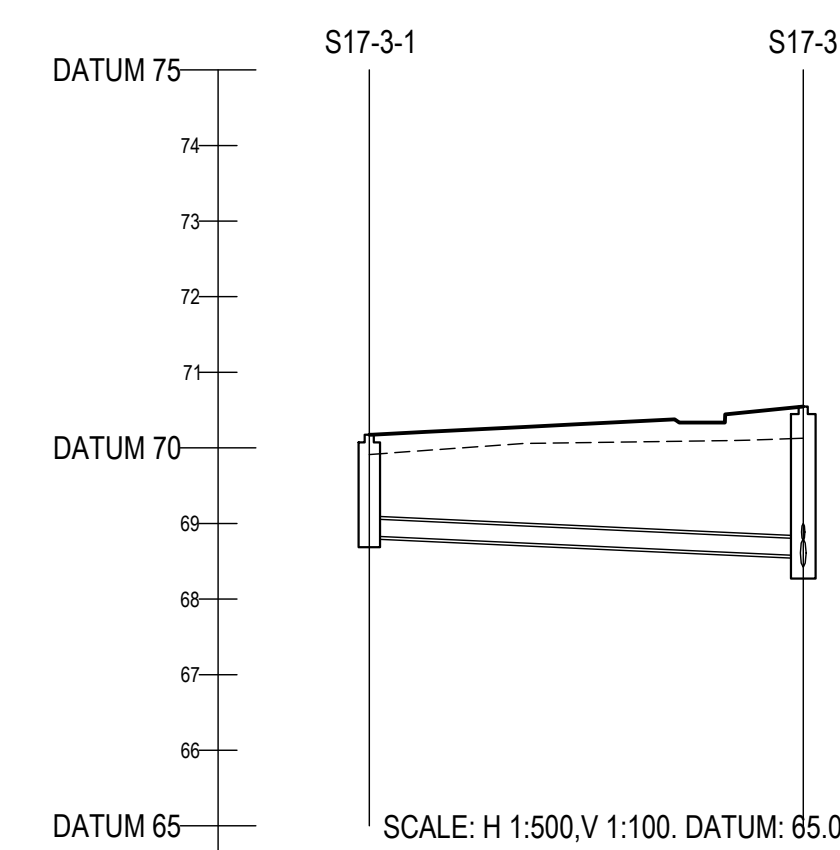
| | | |
|--------------|--------|--------|
| COVER LEVEL | 70.948 | 71.574 |
| INVERT LEVEL | 68.115 | 68.115 |
| DEPTH (m) | 2.833 | 3.459 |
| DISTANCE (m) | 63.42 | |
| PIPE SLOPE | 1:102 | |
| PIPE SIZE | 225mm | |



| | | | |
|--------------|--------|--------|--------|
| COVER LEVEL | 72.914 | 71.280 | 70.905 |
| INVERT LEVEL | 68.190 | 68.190 | 68.190 |
| DEPTH (m) | 2.484 | 2.484 | 2.484 |
| DISTANCE (m) | 56.61 | 68.45 | |
| PIPE SLOPE | 1:30 | 1:199 | |
| PIPE SIZE | 225mm | 300mm | |

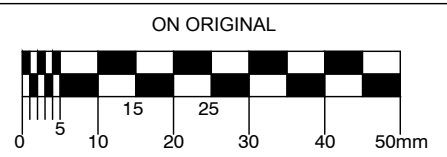


| | | | | | | |
|--------------|--------|--------|--------|--------|--------|--------|
| COVER LEVEL | 73.128 | 70.584 | 70.548 | 70.009 | 68.912 | 70.466 |
| INVERT LEVEL | 71.515 | 70.584 | 70.548 | 68.422 | 68.281 | 68.140 |
| DEPTH (m) | 1.613 | 1.537 | 1.126 | 1.582 | 1.631 | 2.326 |
| DISTANCE (m) | 59.79 | 70.25 | 31.57 | 1.50 | 28.75 | 1.14 |
| PIPE SLOPE | 1:60 | 1:39 | 1:251 | 1:101 | 1:288 | 1:121 |
| PIPE SIZE | 225mm | 225mm | 375mm | 375mm | 1250mm | 375mm |



| | | |
|--------------|--------|--------|
| COVER LEVEL | 70.173 | 70.548 |
| INVERT LEVEL | 68.572 | 68.572 |
| DEPTH (m) | 2.126 | 2.326 |
| DISTANCE (m) | 28.70 | |
| PIPE SLOPE | 1:109 | |
| PIPE SIZE | 225mm | |

© COPYRIGHT OF THIS DRAWING IS RESERVED BY DBFL CONSULTING ENGINEERS. NO PART SHALL BE REPRODUCED OR TRANSMITTED WITHOUT THEIR WRITTEN PERMISSION.



- NOTES:
- ALL DRAWINGS TO BE CHECKED BY CONTRACTOR ON SITE AND ENGINEER INFORMED OF DISCREPANCIES BEFORE WORK COMMENCES
 - ALL LEVELS ARE IN METRES AND ARE RELATED TO ORDNANCE DATUM
 - CONTRACTOR SHALL SATISFY HIMSELF AS TO THE ACCURACY OF PAVEMENT LEVELS ON SITE PRIOR TO COMMENCEMENT OF WORKS ON SITE
 - ALL WORKS TO BE CONSTRUCTED IN ACCORDANCE WITH THE NRA SPECIFICATION FOR ROAD WORKS UNLESS NOTED OTHERWISE
 - THIS DRAWING IS FOR PLANNING PURPOSES ONLY
 - MANHOLE COVER LEVELS ARE TO CONFORM WITH FINISHED ROAD AND PATH LEVELS
 - WHERE COVER TO PIPE IS LESS THAN 1200mm (ROAD/PATH/VERGE) OR 900mm (OPEN SPACE) SURROUND PIPE IN MINIMUM 150mm CONCRETE

KEY
 - - - - - EXISTING GROUND PROFILE
 _____ PROPOSED GROUND PROFILE

| REV. | DATE | DESCRIPTION | BY | CHKD. |
|-----------------|----------|-------------|-----|-------|
| PLANNING | | | | |
| DESIGNED | xxx | PREPARED | xxx | |
| DATE | MMM YYYY | CHECKED | xxx | |

DBFL Consulting Engineers
 Dublin Office: Ormrod House, Upper Ormrod Quay, Dublin 7, Ireland. PHONE +353 1 400 4000 FAX +353 1 400 4050
 Waterford Office: Unit 2, The Chandlery, 1-2 O'Connell Street, Waterford, Ireland. PHONE +353 51 338 550 FAX +353 51 844 913
 Email: info@dbfl.ie site: www.dbfl.ie

PROJECT
LANDS AT CLONMINCH, TULLAMORE, CO OFFALY

DRG. TITLE
LONGITUDINAL SECTIONS THROUGH SURFACE WATER SHEET 2

CLIENT
STEINFORT INVESTMENTS FUND

| | | | |
|----------|-------------|-----------|-------------|
| SCALE | FILL IN @A1 | FILE REF. | 180002-3020 |
| DRG. NO. | 180002-3022 | | |