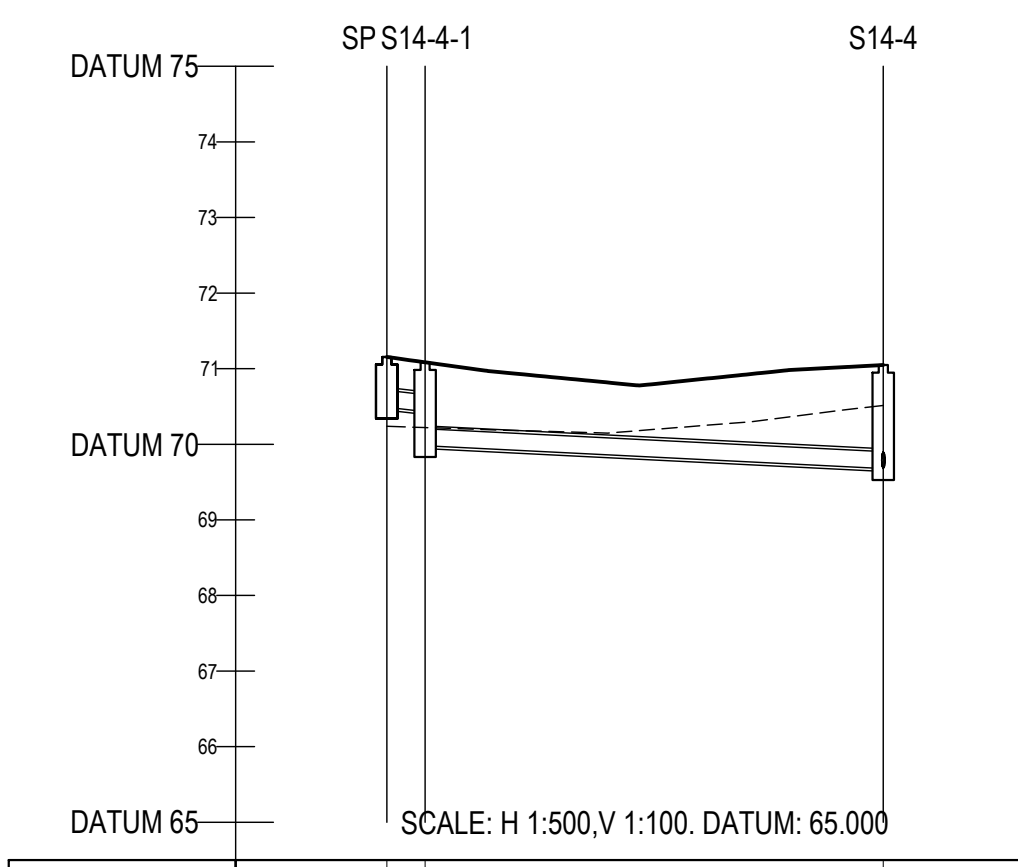
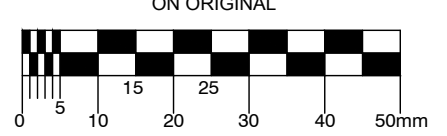


| COVER LEVEL | 71.262 | 71.046 | 69.699 | 69.346 | 69.441 | 69.511 |
|--------------|--------|--------|--------|--------|--------|--------|
| INVERT LEVEL | 70.275 | 69.678 | 88.146 | 67.705 | 67.721 | 67.676 |
| DEPTH (m) | 1.551 | 1.371 | 1.513 | 1.881 | 1.720 | 1.885 |
| DISTANCE (m) | | 56.72 | 61.32 | 48.15 | 9.45 | 11.10 |
| PIPE SLOPE | | 1.95 | 1.40 | 1.126 | 1.215 | 1.247 |
| PIPE SIZE | | 225mm | 225mm | 300mm | 300mm | 300mm |



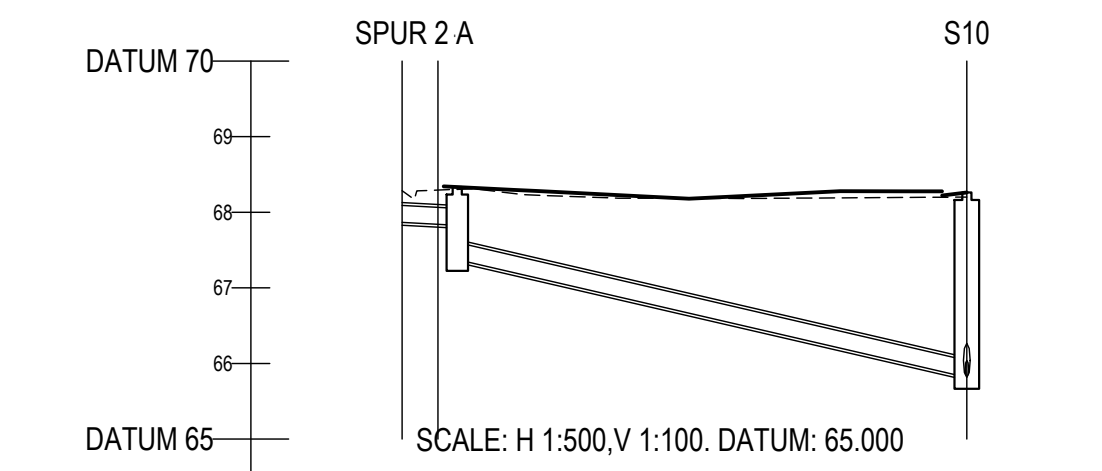
| COVER LEVEL | 71.155 | 71.084 | 71.046 |
|--------------|--------|--------|--------|
| INVERT LEVEL | 69.666 | 69.361 | 69.678 |
| DEPTH (m) | 1.103 | 1.103 | 1.371 |
| DISTANCE (m) | 2.425 | 30.30 | |
| PIPE SLOPE | 1.44 | 1.100 | |
| PIPE SIZE | 225mm | 225mm | |

© COPYRIGHT OF THIS DRAWING IS RESERVED BY DBFL CONSULTING ENGINEERS. NO PART SHALL BE REPRODUCED OR TRANSMITTED WITHOUT THEIR WRITTEN PERMISSION.

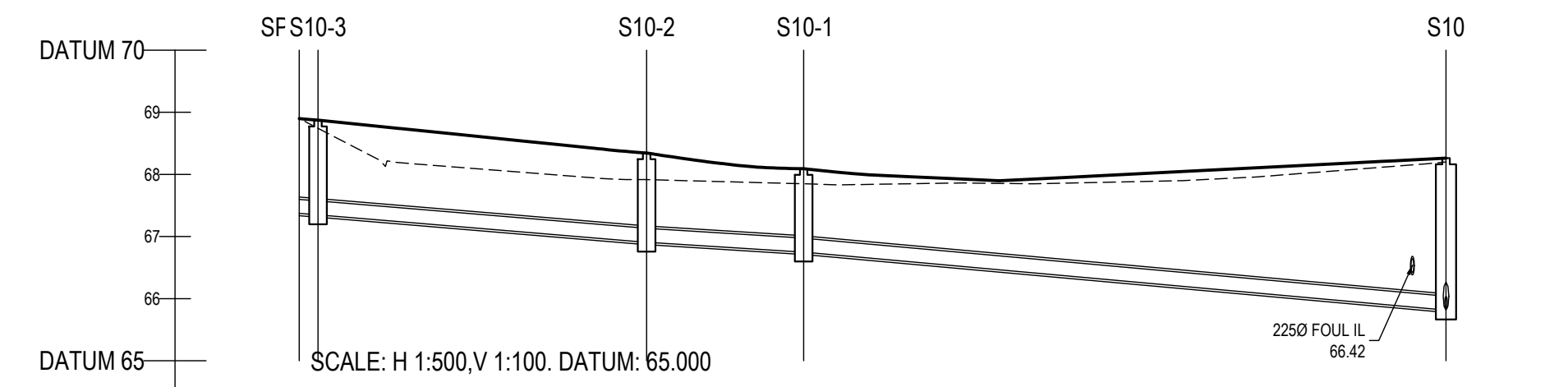


- NOTES:
- ALL DRAWINGS TO BE CHECKED BY CONTRACTOR ON SITE AND ENGINEER INFORMED OF DISCREPANCIES BEFORE WORK COMMENCES
 - ALL LEVELS ARE IN METRES AND ARE RELATED TO ORDNANCE DATUM
 - CONTRACTOR SHALL SATISFY HIMSELF AS TO THE ACCURACY OF PAVEMENT LEVELS ON SITE PRIOR TO COMMENCEMENT OF WORKS ON SITE
 - ALL WORKS TO BE CONSTRUCTED IN ACCORDANCE WITH THE NRA SPECIFICATION FOR ROAD WORKS UNLESS NOTED OTHERWISE
 - THIS DRAWING IS FOR PLANNING PURPOSES ONLY
 - MANHOLE COVER LEVELS ARE TO CONFORM WITH FINISHED ROAD AND PATH LEVELS
 - WHERE COVER TO PIPE IS LESS THAN 1200mm (ROAD/PATH/VERGE) OR 900mm (OPEN SPACE) SURROUND PIPE IN MINIMUM 150mm CONCRETE

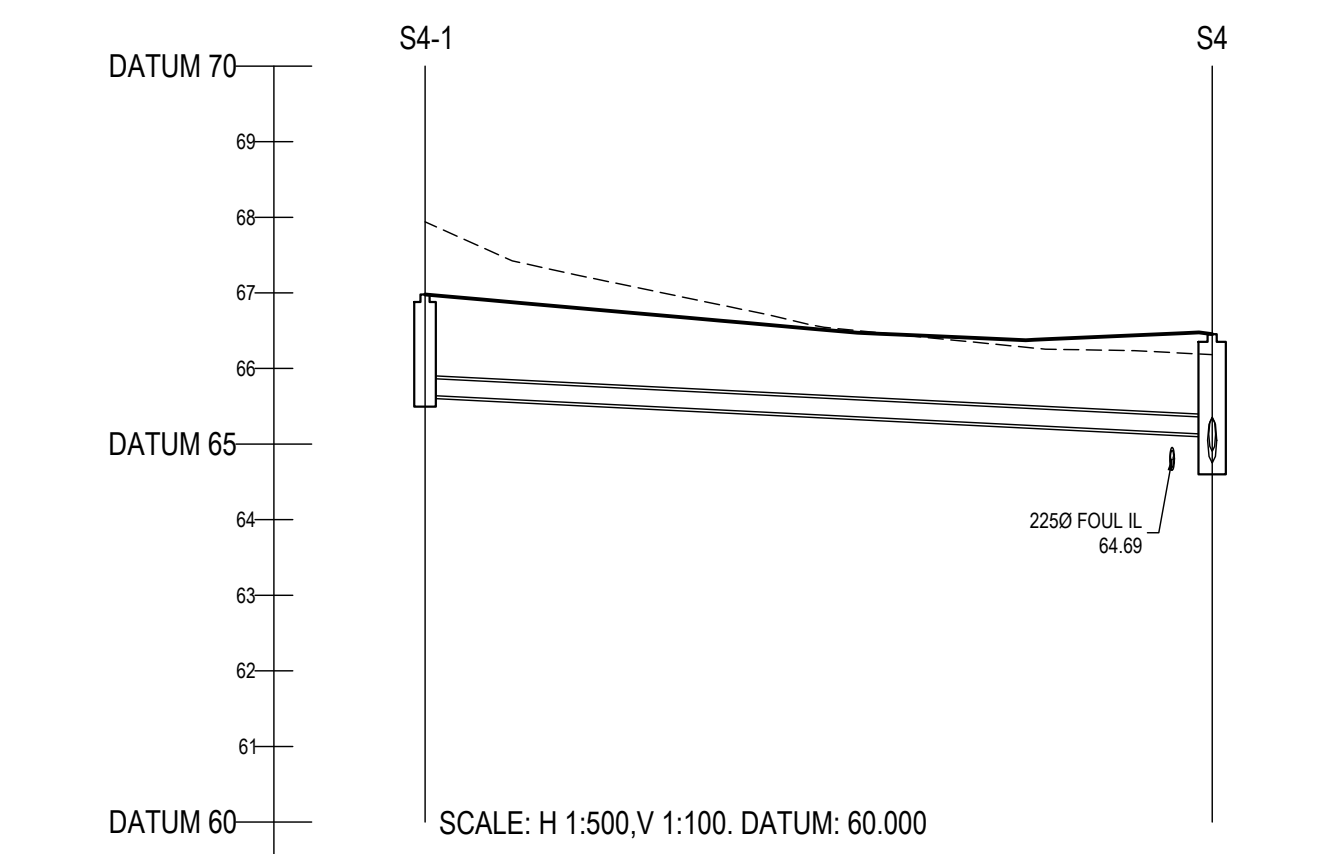
KEY
 - - - - - EXISTING GROUND PROFILE
 ——— PROPOSED GROUND PROFILE



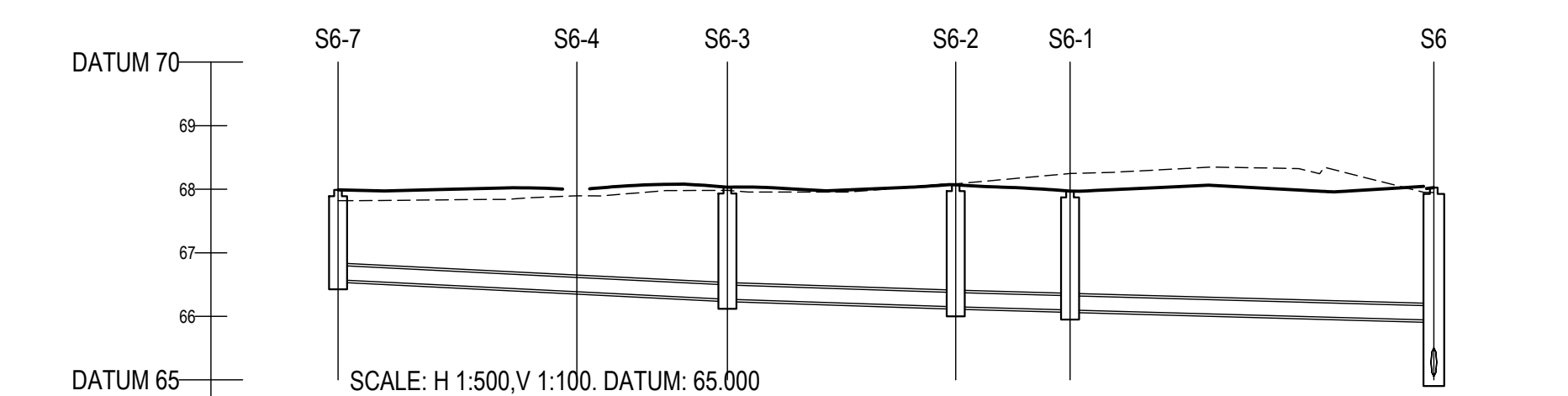
| COVER LEVEL | 68.273 | 68.834 | 68.282 |
|--------------|--------|--------|--------|
| INVERT LEVEL | 67.375 | 67.375 | 66.815 |
| DEPTH (m) | 0.933 | 1.459 | 2.447 |
| DISTANCE (m) | 3.65 | 33.70 | |
| PIPE SLOPE | 1.89 | 1.22 | |
| PIPE SIZE | 225mm | 225mm | |



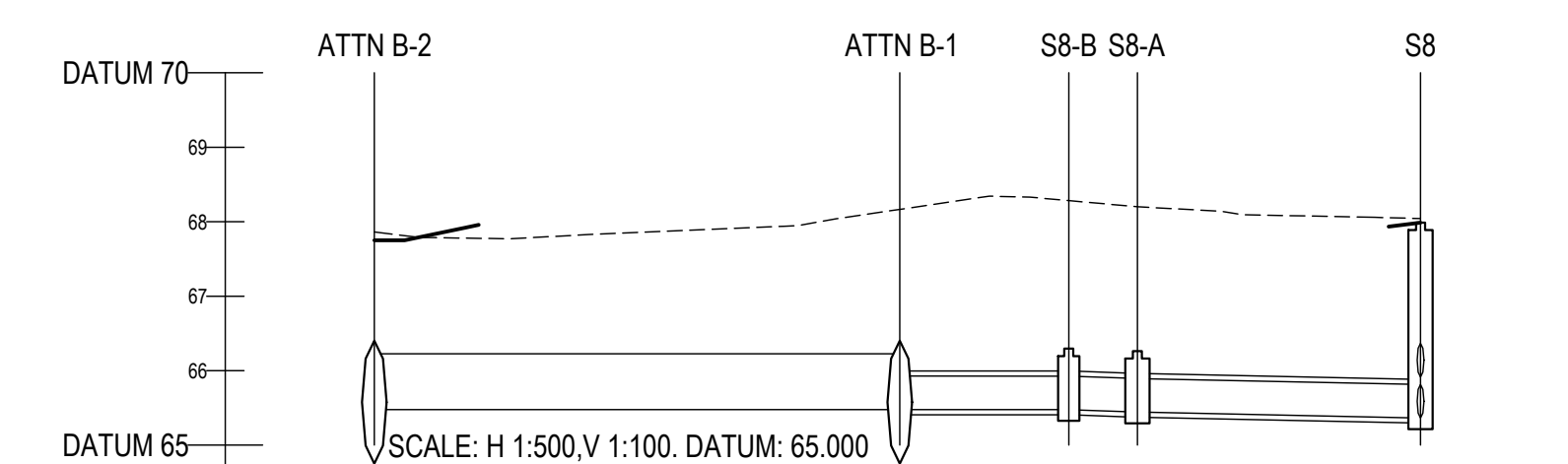
| COVER LEVEL | 67.705 | 68.345 | 68.692 | 68.282 |
|--------------|--------|--------|--------|--------|
| INVERT LEVEL | 66.705 | 66.907 | 66.749 | 66.815 |
| DEPTH (m) | 1.000 | 1.438 | 1.943 | 2.447 |
| DISTANCE (m) | 1.51 | 26.47 | 12.64 | 51.72 |
| PIPE SLOPE | 1.60 | 1.60 | 1.80 | 1.55 |
| PIPE SIZE | 225mm | 225mm | 225mm | 225mm |



| COVER LEVEL | 66.979 | 66.463 |
|--------------|--------|--------|
| INVERT LEVEL | 65.646 | 65.125 |
| DEPTH (m) | 1.333 | 1.338 |
| DISTANCE (m) | | 52.06 |
| PIPE SLOPE | | 1.100 |
| PIPE SIZE | | 225mm |



| COVER LEVEL | 67.990 | 66.990 | 68.032 | 68.071 | 67.971 | 68.027 |
|--------------|--------|--------|--------|--------|--------|--------|
| INVERT LEVEL | 66.575 | 66.387 | 66.269 | 66.149 | 66.059 | 66.540 |
| DEPTH (m) | 1.415 | 0.583 | 1.763 | 1.922 | 1.912 | 2.573 |
| DISTANCE (m) | 18.79 | 11.83 | 17.96 | 8.99 | 28.62 | |
| PIPE SLOPE | 1:100 | 1:100 | 1:150 | 1:180 | 1:180 | |
| PIPE SIZE | 225mm | 225mm | 225mm | 225mm | 225mm | |



| COVER LEVEL | 66.402 | 66.402 | 66.296 | 66.283 | 67.988 |
|--------------|--------|------------|---------|--------|--------|
| INVERT LEVEL | 65.477 | 65.477 | 65.477 | 65.444 | 65.364 |
| DEPTH (m) | 0.819 | 0.819 | 0.819 | 0.819 | 2.624 |
| DISTANCE (m) | | 35.26 | 11.34 | 4.61 | 19.00 |
| PIPE SLOPE | | Horizontal | 1:34226 | 1:141 | 1:238 |
| PIPE SIZE | | 1250mm | 450mm | 450mm | 450mm |

| REV | DATE | DESCRIPTION | BY | CHKD |
|-----------------|----------|-------------|-----|------|
| PLANNING | | | | |
| DESIGNED | XXX | PREPARED | XXX | |
| DATE | MMM YYYY | CHECKED | XXX | |

DBFL Consulting Engineers email: info@dbfl.ie site: www.dbfl.ie

PROJECT
**LANDS AT CLONMINCH,
 TULLAMORE, CO OFFALY**

DRG. TITLE
**LONGITUDINAL SECTIONS
 THROUGH SURFACE
 WATER SHEET 3**

CLIENT
**STEINFORT INVESTMENTS
 FUND**

| SCALE | FILL IN @A1 | FILE REF. | 180002-3020 |
|----------|--------------------|-----------|-------------|
| DRG. NO. | 180002-3023 | | |