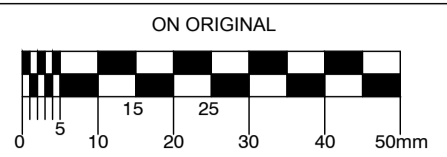


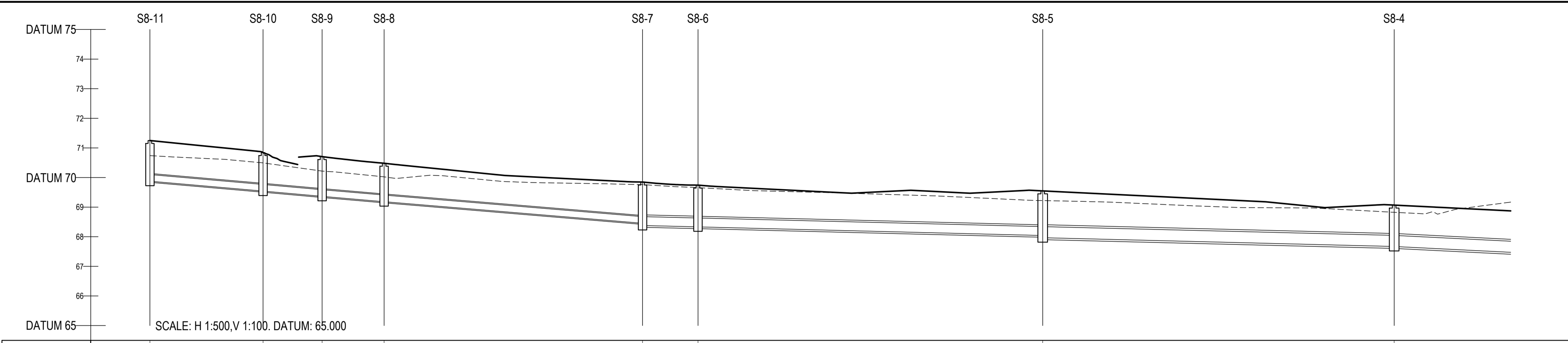
© COPYRIGHT OF THIS DRAWING IS RESERVED BY DBFL CONSULTING ENGINEERS. NO PART SHALL BE REPRODUCED OR TRANSMITTED WITHOUT THEIR WRITTEN PERMISSION.



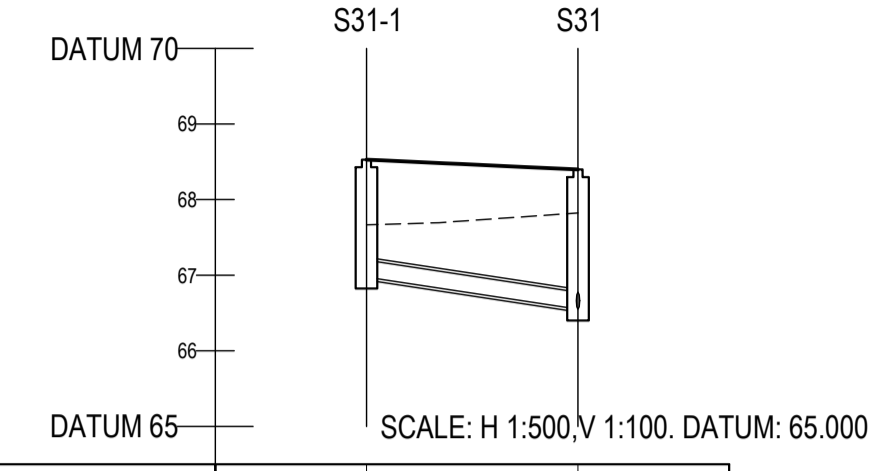
- NOTES:
1. ALL DRAWINGS TO BE CHECKED BY CONTRACTOR ON SITE AND ENGINEER INFORMED OF DISCREPANCIES BEFORE WORK COMMENCES
 2. ALL LEVELS ARE IN METRES AND ARE RELATED TO ORDNANCE DATUM
 3. CONTRACTOR SHALL SATISFY HIMSELF AS TO THE ACCURACY OF PAVEMENT LEVELS ON SITE PRIOR TO COMMENCEMENT OF WORKS ON SITE
 4. ALL WORKS TO BE CONSTRUCTED IN ACCORDANCE WITH THE NRA SPECIFICATION FOR ROAD WORKS UNLESS NOTED OTHERWISE
 5. THIS DRAWING IS FOR PLANNING PURPOSES ONLY
 6. MANHOLE COVER LEVELS ARE TO CONFORM WITH FINISHED ROAD AND PATH LEVELS
 7. WHERE COVER TO PIPE IS LESS THAN 1200mm (ROAD/PATH/VERGE) OR 900mm (OPEN SPACE) SURROUND PIPE IN MINIMUM 150mm CONCRETE

KEY

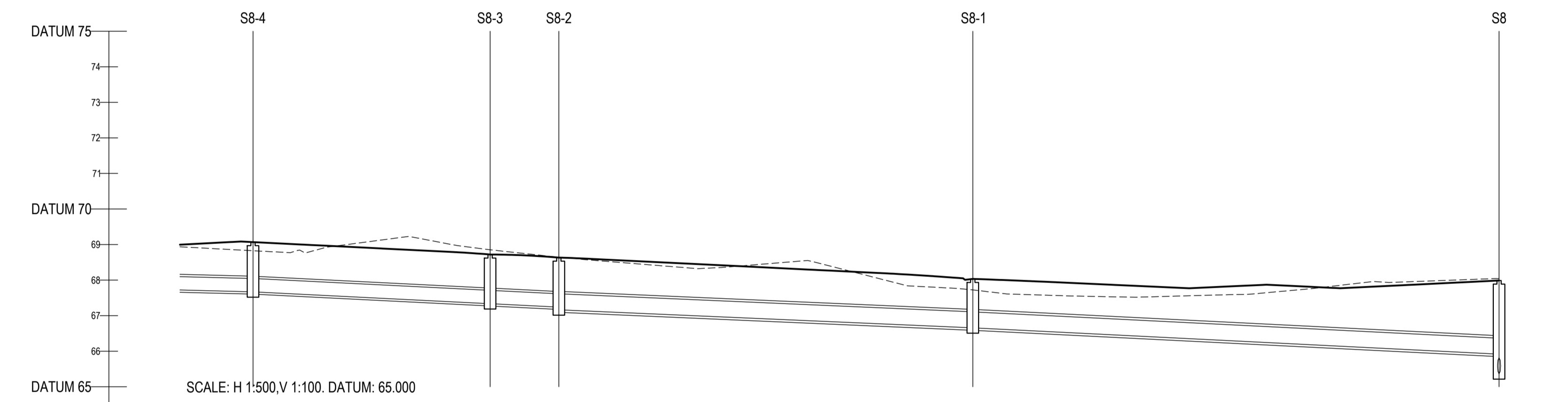
- - - - - EXISTING GROUND PROFILE
- PROPOSED GROUND PROFILE



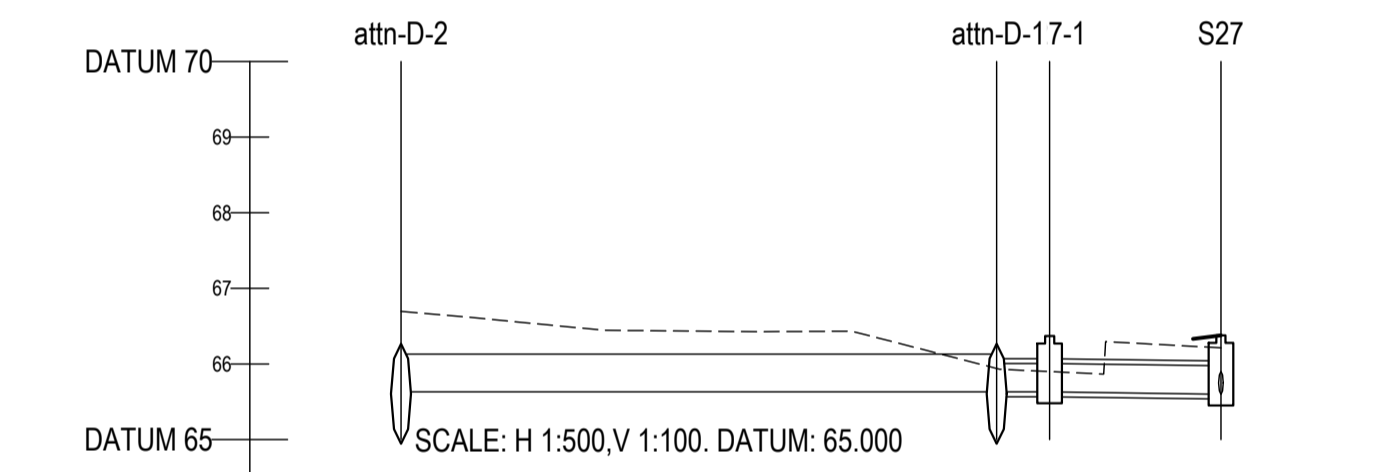
COVER LEVEL	71.260	70.842	70.706	70.482	69.847	69.742	69.546	69.069											
INVERT LEVEL	68.675	12.000	68.542	12.001	68.394	12.002	68.183	12.003	68.045	12.004	68.333	12.005	68.042	67.967	12.006	67.670	67.670	12.007	67.336
DEPTH (m)	1.375		1.300		1.342		1.299		1.467		1.410		1.891		1.399		1.399		1.848
DISTANCE (m)		19.13		9.97		10.49		43.68		9.37		58.27		59.40		33.39			
PIPE SLOPE		1.57		1.56		1.58		1.60		1.199		1.200		1.200		1.100			
PIPE SIZE		225mm		225mm		225mm		225mm		300mm		300mm		375mm		375mm			



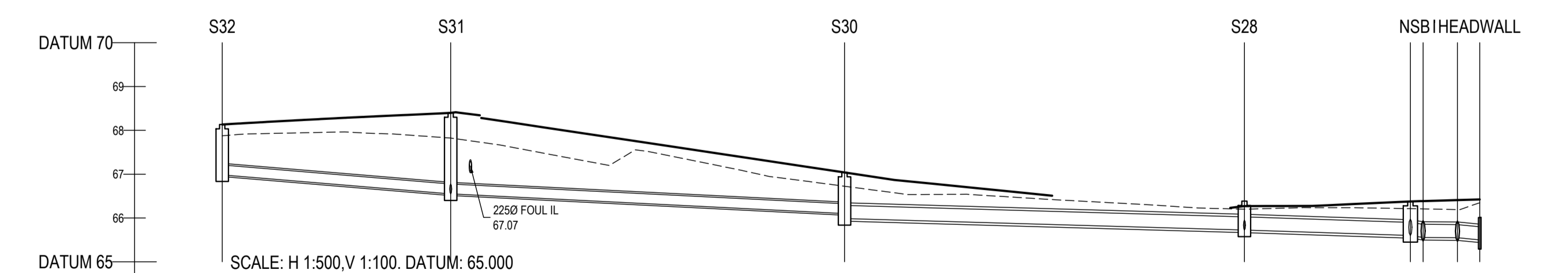
COVER LEVEL	68.528	68.398
INVERT LEVEL	66.974	66.550
DEPTH (m)	1.555	1.848
DISTANCE (m)		13.99
PIPE SLOPE		1.33
PIPE SIZE		225mm



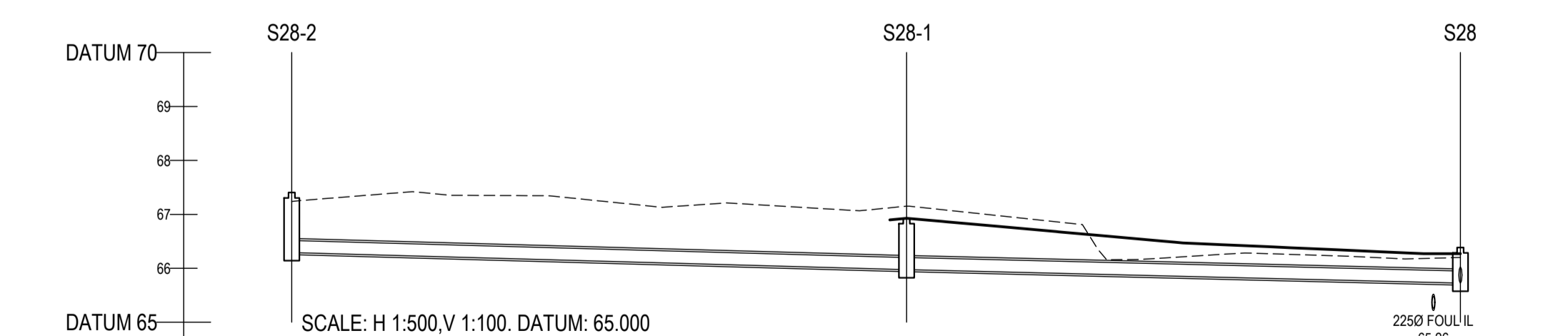
COVER LEVEL	67.967	67.670	69.699	68.719	68.633	68.034	67.988
INVERT LEVEL	12.006	67.670	12.007	67.336	67.239	66.657	66.657
DEPTH (m)	1.399		1.399	1.383	1.469	1.377	2.324
DISTANCE (m)	59.40		33.39	9.68		58.30	74.12
PIPE SLOPE	1.200		1.100	1.100		1.115	1.100
PIPE SIZE	375mm		375mm	375mm		450mm	450mm



COVER LEVEL	66.285	66.265	66.370	66.378
INVERT LEVEL	66.630	66.630	66.630	66.600
DEPTH (m)	777	777	777	0.778
DISTANCE (m)		39.40	3.50	11.33
PIPE SLOPE		Horizontal	Horizontal	1.378
PIPE SIZE		1000mm	375mm	375mm



COVER LEVEL	68.133	68.398	67.039	66.385	66.378	66.387	66.010
INVERT LEVEL	66.964	16.000	66.550	66.550	16.001	66.101	66.887
DEPTH (m)	1.169		1.848		1.052	0.660	0.660
DISTANCE (m)		26.05		44.90		45.60	18.92
PIPE SLOPE		1.60		1.100		1.174	1.151
PIPE SIZE		225mm		225mm		300mm	300mm



COVER LEVEL	67.405	66.528	66.385
INVERT LEVEL	66.291	65.875	65.875
DEPTH (m)	1.113	0.653	0.660
DISTANCE (m)		56.92	51.28
PIPE SLOPE		1.180	1.205
PIPE SIZE		225mm	225mm

REV	DATE	DESCRIPTION	BY	CHKD
PLANNING				
DESIGNED	xxx	PREPARED	xxx	
DATE	MMM YYYY	CHECKED	xxx	

DBFL Consulting Engineers email: info@dbfl.ie site: www.dbfl.ie

PROJECT
**LANDS AT CLONMINCH,
TULLAMORE, CO OFFALY**

DRG. TITLE
**LONGITUDINAL SECTIONS
THROUGH SURFACE WATER
SHEET 4**

CLIENT
**STEINFORT INVESTMENTS
FUND**

SCALE	FILL IN @A1	FILE REF.	180002-3020
DRG. NO.	180002-3024		