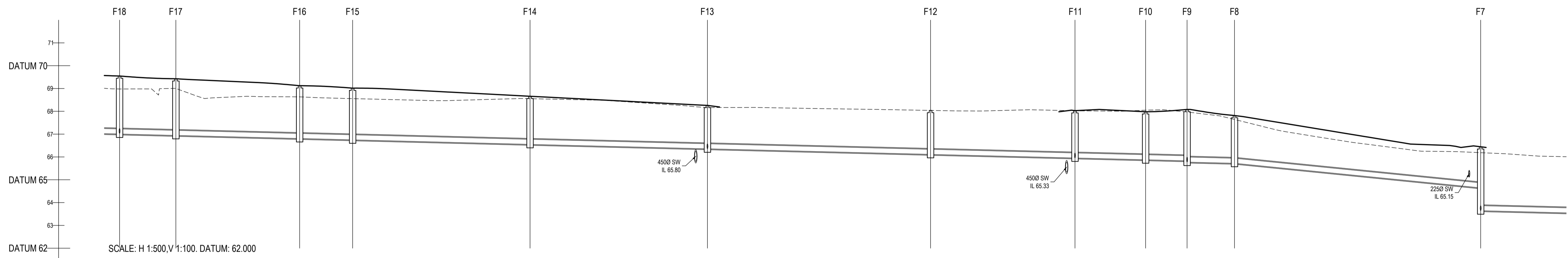


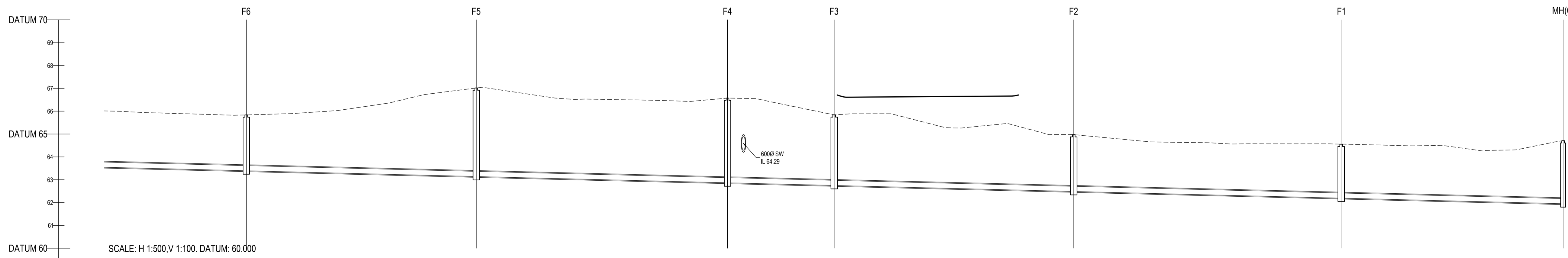
SCALE: H 1:500, V 1:100. DATUM: 65.000

COVER LEVEL		71.428		71.289		71.305		71.234		71.675		71.496		71.357		71.110		70.925		70.475		70.103		69.647					
INVERT LEVEL		70.075	1.000	69.824	1.001	69.552	1.000	69.422	1.003	68.547	68.163	68.163	1.005	68.002	67.894	67.894	1.007	67.753	67.753	67.478	67.478	1.009	67.276	67.276	1.010	67.092	67.092	67.011	67.004
DEPTH (m)		1.350		1.445		1.753		1.812		3.128	3.333		3.295		3.216		3.172		2.997		2.827		2.827		2.956		2.956		2.956
DISTANCE (m)		16.01		22.34		7.62			42.78				13.15		22.18		18.75					35.32				44.78		9.62	
PIPE SLOPE		1.64		1.82		1.59			1.49				1.124		1.130		1.133					1.157				1.200		1.200	
PIPE SIZE		225mm		225mm		225mm		225mm	225mm		225mm		225mm		225mm		225mm		225mm		225mm		225mm		225mm		225mm		



SCALE: H 1:500, V 1:100. DATUM: 62.000

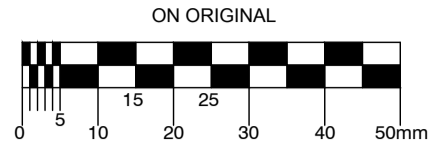
COVER LEVEL		69.549		69.428		69.122		69.015		68.660		68.329		68.039		68.030		67.983		68.082		67.715		66.446				
INVERT LEVEL		67.992	1.012	68.942	1.013	68.805	1.014	68.748	Pipe512	68.549	Pipe512 (1)	68.355	1.017	66.111	66.111	66.953	1.019	66.875	Pipe531	66.828	1.021	66.720	66.720	1.022	64.642	64.641	1.023	63.392
DEPTH (m)		2.545		2.486		2.216		2.267		2.111		1.984		1.928		2.077		2.108		2.210		2.095		2.805		2.805		2.805
DISTANCE (m)		9.62	12.32		27.09		11.59		38.83		38.83		48.84		31.61		15.47		9.07		10.38			53.88		49.82		
PIPE SLOPE		1.200	1.199		1.200		1.199		1.200		1.200		1.200		1.200		1.198		1.193		1.200		1.50		1.200		1.200	
PIPE SIZE		225mm	225mm		225mm		225mm		225mm		225mm		225mm		225mm		225mm		225mm		225mm		225mm		225mm		225mm	



SCALE: H 1:500, V 1:100. DATUM: 60.000

COVER LEVEL		66.896		67.016		66.973		66.940		64.973		64.954		64.708				
INVERT LEVEL		63.641	1.023	63.392	1.024	63.140	1.025	62.865	1.026	62.748	1.027	62.485	1.028	62.193	62.193	1.029	61.950	
DEPTH (m)		2.445		3.876		3.708		3.092		3.092		2.487		2.487		2.381		2.748
DISTANCE (m)		49.82		50.34		54.99		23.35		52.43		59.53		48.58				
PIPE SLOPE		1.200		1.200		1.200		1.200		1.200		1.200		1.200				
PIPE SIZE		225mm		225mm		225mm		225mm		225mm		225mm		225mm				

© COPYRIGHT OF THIS DRAWING IS RESERVED BY DBFL CONSULTING ENGINEERS. NO PART SHALL BE REPRODUCED OR TRANSMITTED WITHOUT THEIR WRITTEN PERMISSION.



- NOTES:
- ALL DRAWINGS TO BE CHECKED BY CONTRACTOR ON SITE AND ENGINEER INFORMED OF DISCREPANCIES BEFORE WORK COMMENCES
  - ALL LEVELS ARE IN METRES AND ARE RELATED TO ORDNANCE DATUM
  - CONTRACTOR SHALL SATISFY HIMSELF AS TO THE ACCURACY OF PAVEMENT LEVELS ON SITE PRIOR TO COMMENCEMENT OF WORKS ON SITE
  - ALL WORKS TO BE CONSTRUCTED IN ACCORDANCE WITH THE NRA SPECIFICATION FOR ROAD WORKS UNLESS NOTED OTHERWISE
  - THIS DRAWING IS FOR PLANNING PURPOSES ONLY
  - MANHOLE COVER LEVELS ARE TO CONFORM WITH FINISHED ROAD AND PATH LEVELS
  - WHERE COVER TO PIPE IS LESS THAN 1200mm (ROAD/PATH/VERGE) OR 900mm (OPEN SPACE) SURROUND PIPE IN MINIMUM 150mm CONCRETE

KEY  
 - - - - - EXISTING GROUND PROFILE  
 \_\_\_\_\_ PROPOSED GROUND PROFILE

REV	DATE	DESCRIPTION	BY	CHKD
A	23/07/20	CDS ISSUE	GMC	ED

**PLANNING**

DESIGNED	ED	PREPARED	GMC
DATE	JUL 2020	CHECKED	BK

DBFL Consulting Engineers  
 Dublin Office: Ormrod House, Upper Ormrod Quay, Dublin 7, Ireland. PHONE +353 1 400 4000 FAX +353 1 400 4050  
 Waterford Office: Unit 2, The Chandlery, 1-2 O'Connell Street, Waterford, Ireland. PHONE +353 51 338 550 FAX +353 51 844 913  
 Email: info@dbfl.ie site: www.dbfl.ie

PROJECT  
**LANDS AT CLONMINCH, TULLAMORE, CO OFFALY**

DRG. TITLE  
**LONGITUDINAL SECTIONS THROUGH FOUL SEWER SHEET 1**

CLIENT  
**STEINFORT INVESTMENTS FUND**

SCALE H 1:500, V 1:100 @A1 FILE REF. 180002-3020  
 DRG. NO. **180002-3031** A