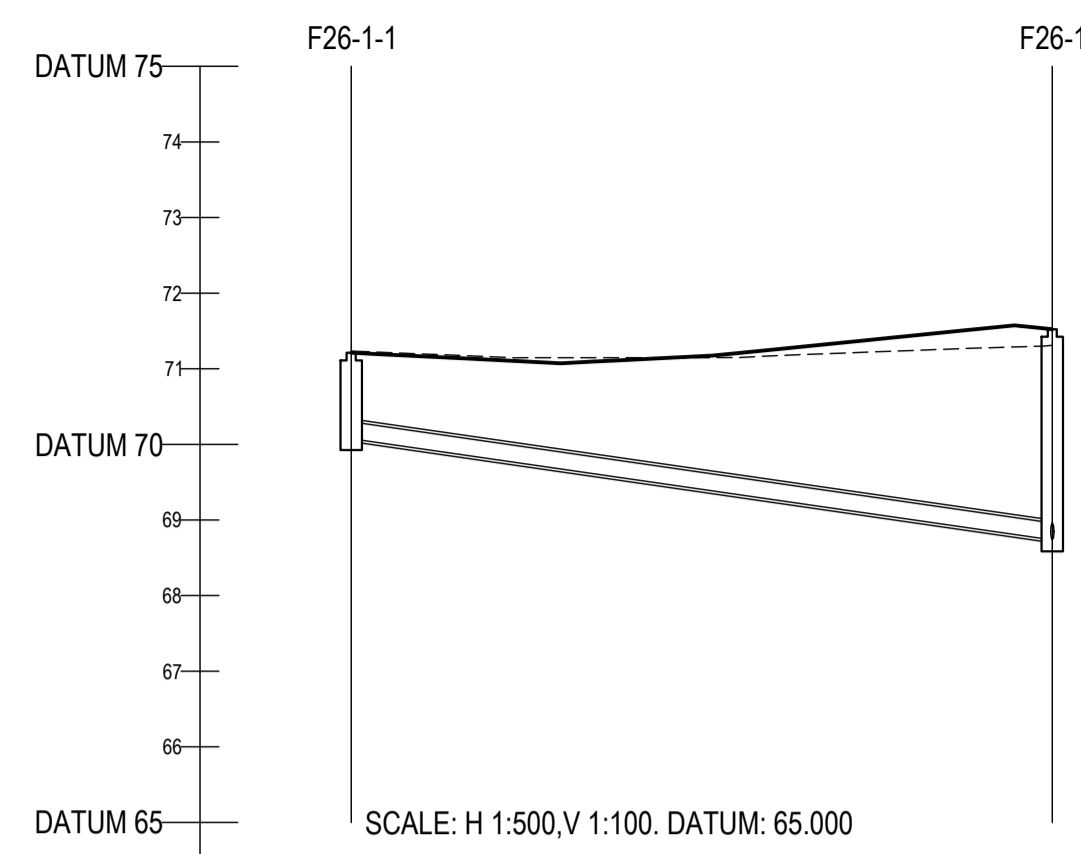
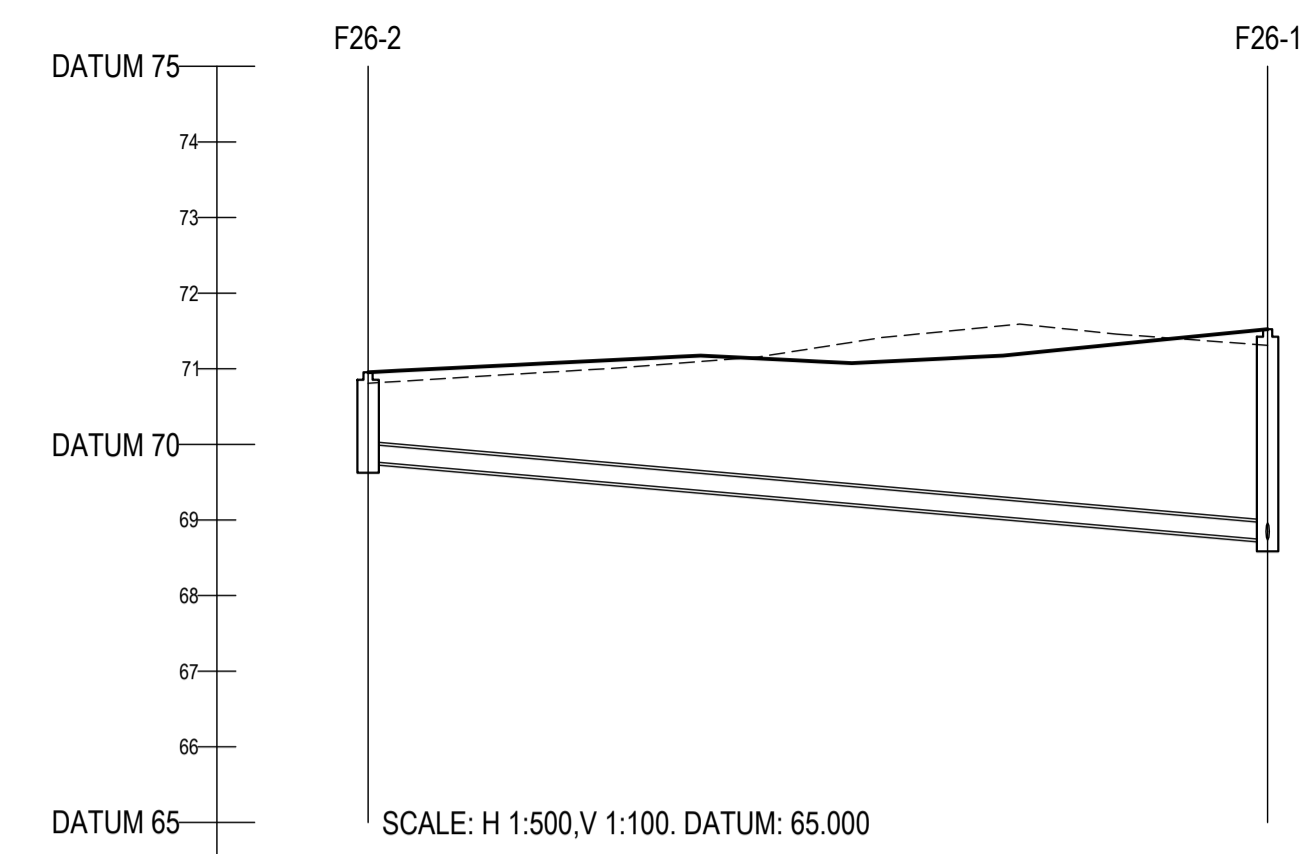


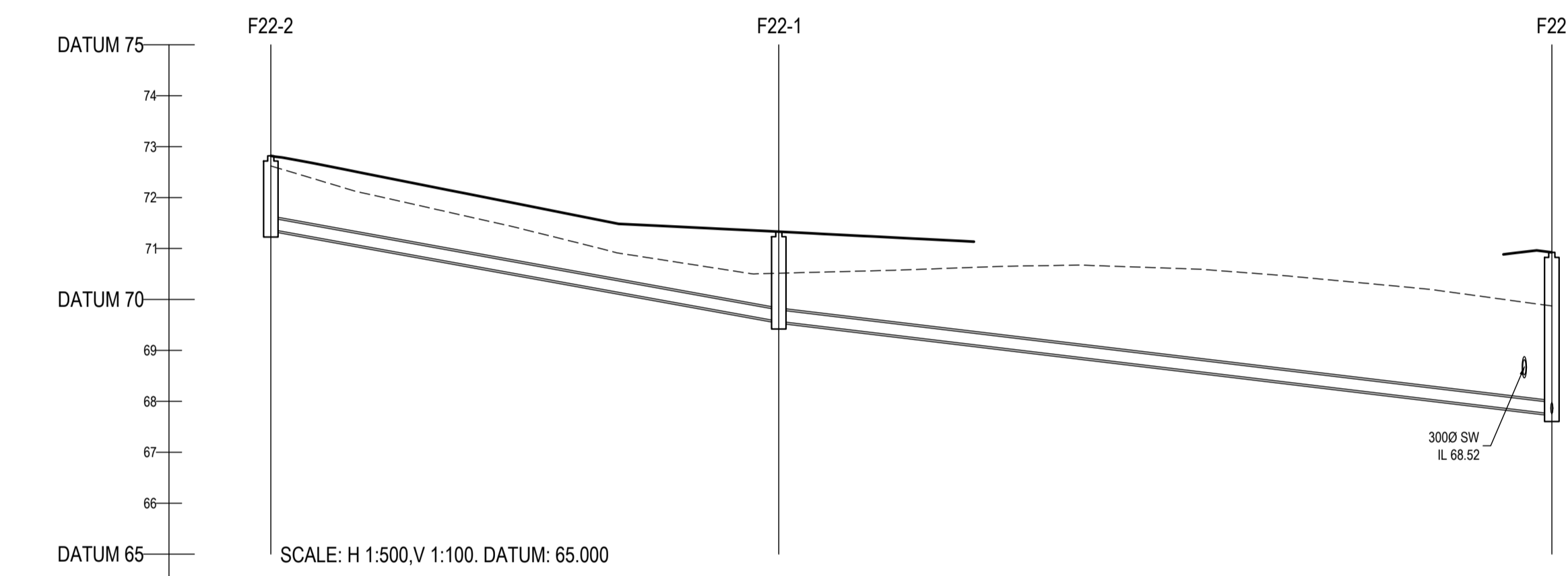
COVER LEVEL	71.524	71.675
INVERT LEVEL	68.726 Pipe516	68.547
DEPTH (m)	2.798	3.128
DISTANCE (m)	16.58	
PIPE SLOPE	1.88	
PIPE SIZE	225mm	



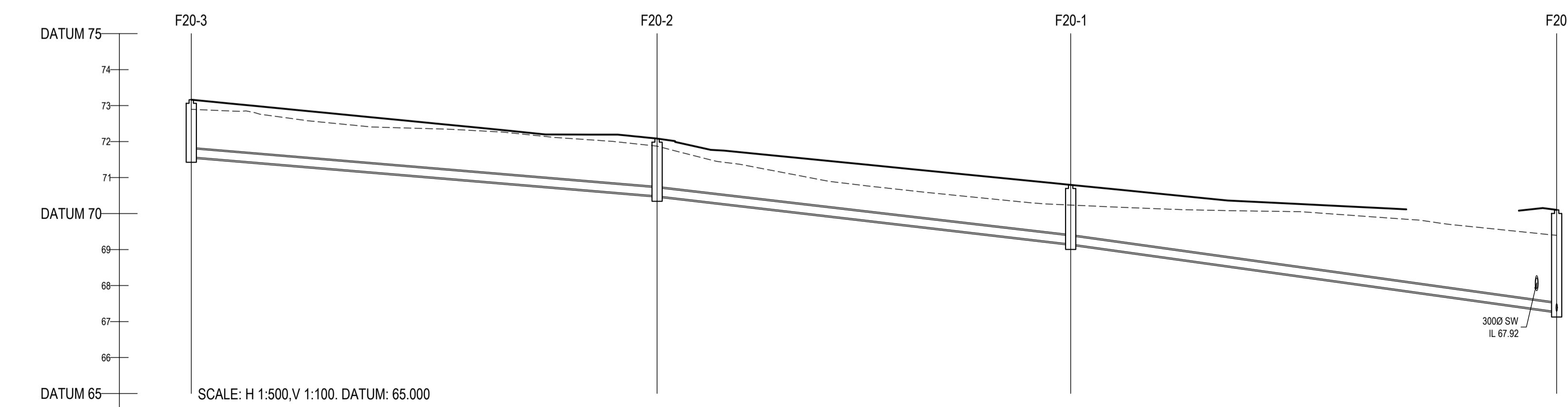
COVER LEVEL	71.211	71.524
INVERT LEVEL	70.075 Pipe519	68.726
DEPTH (m)	1.136	2.798
DISTANCE (m)	46.37	
PIPE SLOPE	1.35	
PIPE SIZE	225mm	



COVER LEVEL	70.954	71.524
INVERT LEVEL	68.775 Pipe517	68.726
DEPTH (m)	1.179	2.798
DISTANCE (m)	59.49	
PIPE SLOPE	1.57	
PIPE SIZE	225mm	

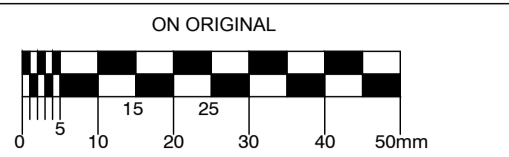


COVER LEVEL	72.819	71.331	70.905
INVERT LEVEL	71.375 2.000	68.570 68.570 2.001	67.753
DEPTH (m)	1.444	1.761	3.172
DISTANCE (m)	49.89	75.91	
PIPE SLOPE	1.28	1.42	
PIPE SIZE	225mm	225mm	



COVER LEVEL	73.103	72.083	70.797	70.103
INVERT LEVEL	71.575 3.000	70.462 70.462 3.001	68.154 68.154 3.002	67.276
DEPTH (m)	1.528	1.522	1.543	2.827
DISTANCE (m)	64.76	57.50	67.57	
PIPE SLOPE	1.60	1.43	1.36	
PIPE SIZE	225mm	225mm	225mm	

© COPYRIGHT OF THIS DRAWING IS RESERVED BY DBFL CONSULTING ENGINEERS. NO PART SHALL BE REPRODUCED OR TRANSMITTED WITHOUT THEIR WRITTEN PERMISSION.



- NOTES:
- ALL DRAWINGS TO BE CHECKED BY CONTRACTOR ON SITE AND ENGINEER INFORMED OF DISCREPANCIES BEFORE WORK COMMENCES
 - ALL LEVELS ARE IN METRES AND ARE RELATED TO ORDNANCE DATUM
 - CONTRACTOR SHALL SATISFY HIMSELF AS TO THE ACCURACY OF PAVEMENT LEVELS ON SITE PRIOR TO COMMENCEMENT OF WORKS ON SITE
 - ALL WORKS TO BE CONSTRUCTED IN ACCORDANCE WITH THE NRA SPECIFICATION FOR ROAD WORKS UNLESS NOTED OTHERWISE
 - THIS DRAWING IS FOR PLANNING PURPOSES ONLY
 - MANHOLE COVER LEVELS ARE TO CONFORM WITH FINISHED ROAD AND PATH LEVELS
 - WHERE COVER TO PIPE IS LESS THAN 1200mm (ROAD/PATH/VERGE) OR 900mm (OPEN SPACE) SURROUND PIPE IN MINIMUM 150mm CONCRETE

KEY
 - - - - - EXISTING GROUND PROFILE
 _____ PROPOSED GROUND PROFILE

A	230720	CDS ISSUE	GMC	ED
REV.	DATE	DESCRIPTION	BY	CHKD.
PLANNING				
DESIGNED	ED	PREPARED	GMC	
DATE	JUL 2020	CHECKED	BK	

DBFL Consulting Engineers email: info@dbfl.ie site: www.dbfl.ie

PROJECT
**LANDS AT CLONMINCH,
 TULLAMORE, CO OFFALY**

DRG. TITLE
**LONGITUDINAL SECTIONS
 THROUGH FOUL SEWER
 SHEET 2**

CLIENT
**STEINFORT INVESTMENTS
 FUND**

SCALE H 1:500, V 1:100 @A1 FILE REF. 180002-3020
 DRG. NO. **180002-3032** A