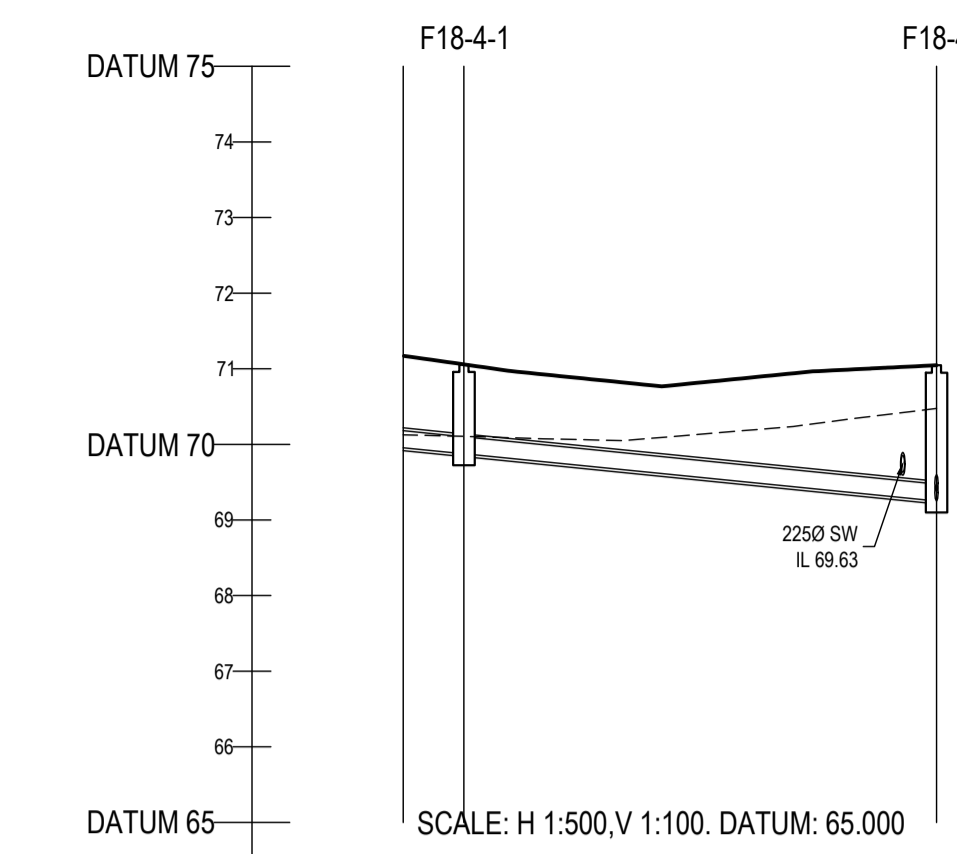
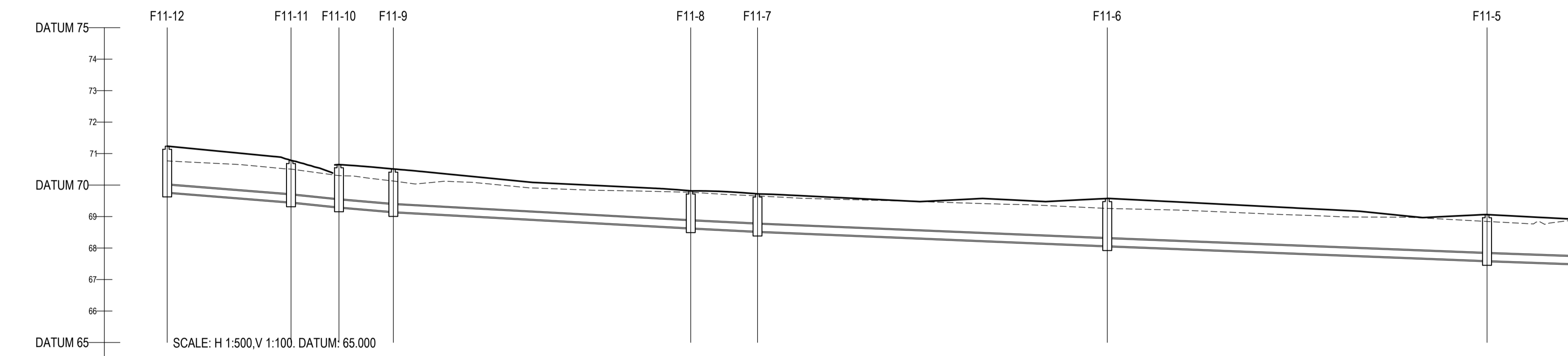


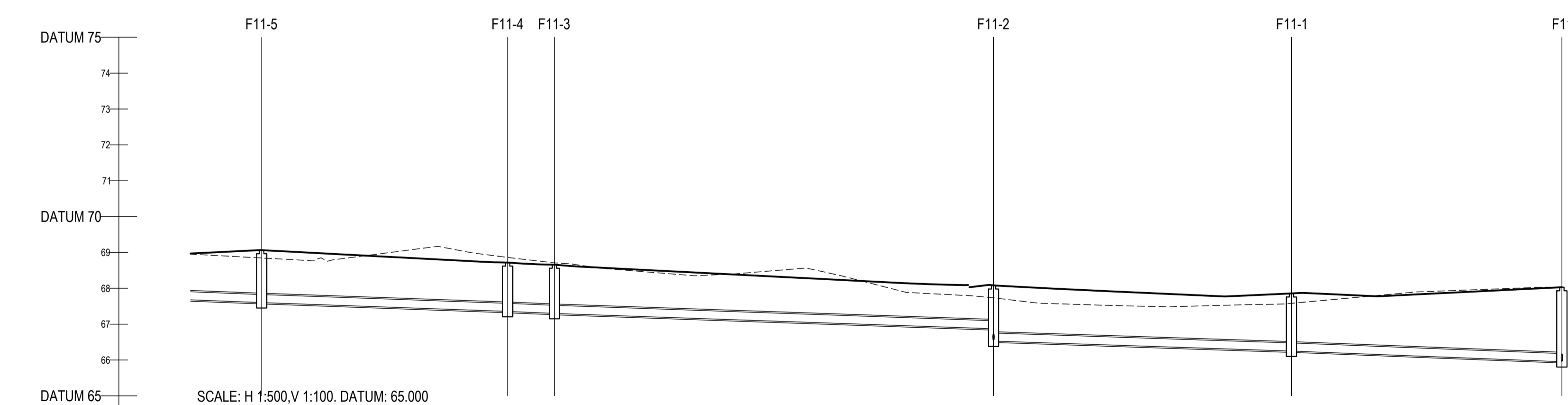
COVER LEVEL	71.810	71.047	69.647	69.345	69.477	69.549			
INVERT LEVEL	70.275	4.000	68.215	4.001	67.667	4.003	67.408	4.004	67.008
DEPTH (m)	1.535		1.432		1.678		2.038		2.541
DISTANCE (m)		53.98		62.08		43.57		12.41	12.08
PIPE SLOPE		1.60		1.60		1.79		1.62	1.27
PIPE SIZE		225mm		225mm		225mm		225mm	225mm



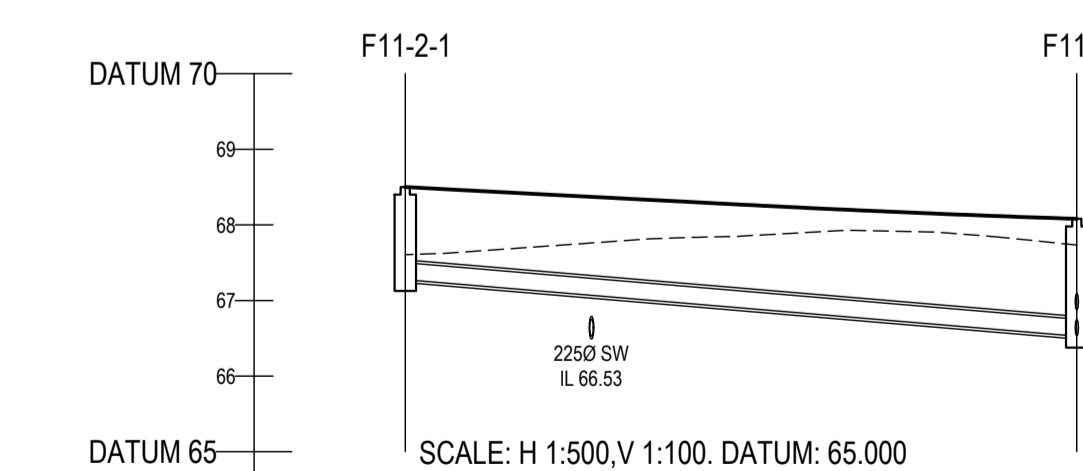
COVER LEVEL	71.098	71.047
INVERT LEVEL	69.935	69.226
DEPTH (m)	1.163	1.797
DISTANCE (m)	4.02	31.26
PIPE SLOPE	-1.50	1.50
PIPE SIZE	225mm	225mm



COVER LEVEL	71.226	70.784	70.051	70.511	69.816	69.719	69.574	69.892												
INVERT LEVEL	69.775	8.000	69.462	8.001	69.304	8.002	69.155	8.003	68.640	8.004	68.533	8.005	68.072	68.574	8.006	67.500	8.007	67.355		
DEPTH (m)	1.461		1.231		1.347		1.266		1.176		1.186		1.592		1.462		1.492		1.462	
DISTANCE (m)		19.70		7.63		8.65		47.31		10.62		55.63		1.128		60.41		34.33		
PIPE SLOPE		1.63		1.48		1.58		1.92		1.99		1.121		1.128		1.128		1.140		1.140
PIPE SIZE		225mm		225mm		225mm		225mm		225mm		225mm		225mm		225mm		225mm		225mm

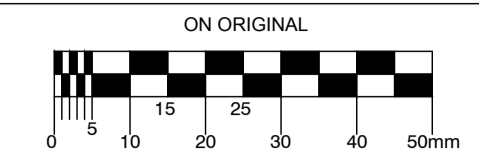


COVER LEVEL	68.072	67.600	67.600	8.007	67.355	67.355	67.299	67.299	68.668	68.872	68.890	68.890	8.009	68.872	68.527	8.010	68.250	68.250	8.011	68.895	68.000
INVERT LEVEL	68.072	8.006	67.600	67.600	8.007	67.355	67.355	67.299	67.299	68.668	68.872	68.890	8.009	68.872	68.527	8.010	68.250	68.250	8.011	68.895	68.000
DEPTH (m)		1.462				1.363	1.363	1.369	1.369	1.369	1.593	1.593		1.593	1.607		1.607		1.607	2.077	
DISTANCE (m)		60.41				34.33		6.52		61.28		41.59		41.59		37.74		15.47		15.47	
PIPE SLOPE		1.128				1.140		1.117		1.143		1.150		1.150		1.127		1.127		1.198	
PIPE SIZE		225mm				225mm		225mm		225mm		225mm		225mm		225mm		225mm		225mm	



COVER LEVEL	68.500	68.000
INVERT LEVEL	67.275	66.527
DEPTH (m)	1.225	1.593
DISTANCE (m)		44.41
PIPE SLOPE		1.59
PIPE SIZE		225mm

© COPYRIGHT OF THIS DRAWING IS RESERVED BY DBFL CONSULTING ENGINEERS. NO PART SHALL BE REPRODUCED OR TRANSMITTED WITHOUT THEIR WRITTEN PERMISSION.



- NOTES:
- ALL DRAWINGS TO BE CHECKED BY CONTRACTOR ON SITE AND ENGINEER INFORMED OF DISCREPANCIES BEFORE WORK COMMENCES
  - ALL LEVELS ARE IN METRES AND ARE RELATED TO ORDNANCE DATUM
  - CONTRACTOR SHALL SATISFY HIMSELF AS TO THE ACCURACY OF PAVEMENT LEVELS ON SITE PRIOR TO COMMENCEMENT OF WORKS ON SITE
  - ALL WORKS TO BE CONSTRUCTED IN ACCORDANCE WITH THE NRA SPECIFICATION FOR ROAD WORKS UNLESS NOTED OTHERWISE
  - THIS DRAWING IS FOR PLANNING PURPOSES ONLY
  - MANHOLE COVER LEVELS ARE TO CONFORM WITH FINISHED ROAD AND PATH LEVELS
  - WHERE COVER TO PIPE IS LESS THAN 1200mm (ROAD/PATH/VERGE) OR 900mm (OPEN SPACE) SURROUND PIPE IN MINIMUM 150mm CONCRETE

KEY  
 - - - - - EXISTING GROUND PROFILE  
 \_\_\_\_\_ PROPOSED GROUND PROFILE

REV	DATE	DESCRIPTION	BY	CHKD
A	230720	CDS ISSUE	GMC	ED

**PLANNING**

DESIGNED	ED	PREPARED	GMC
DATE	JUL 2020	CHECKED	BK

DBFL Consulting Engineers [email: info@dbfl.ie](mailto:info@dbfl.ie) [site: www.dbfl.ie](http://www.dbfl.ie)

PROJECT  
**LANDS AT CLONMINCH,  
 TULLAMORE, CO OFFALY**

DRG. TITLE  
**LONGITUDINAL SECTIONS  
 THROUGH FOUL SEWER  
 SHEET 3**

CLIENT  
**STEINFORT INVESTMENTS  
 FUND**