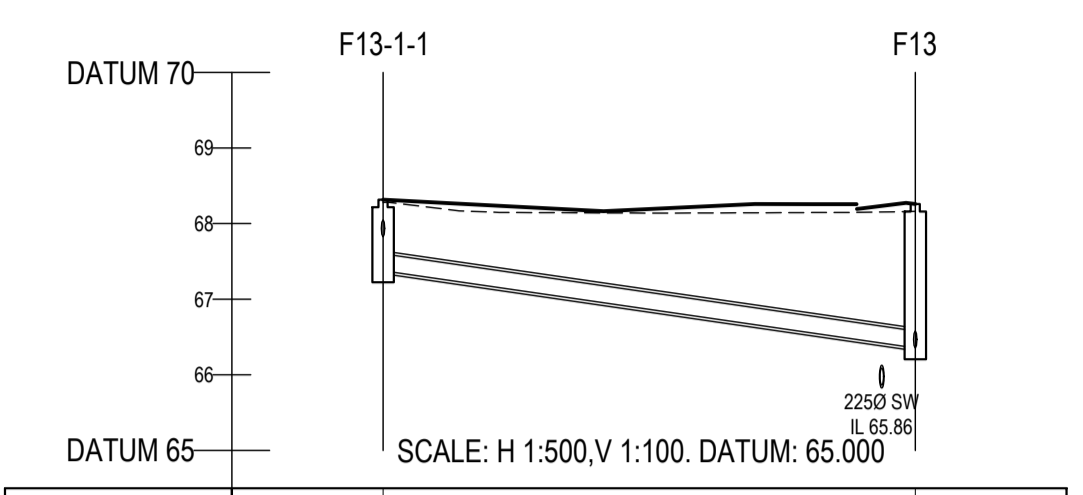


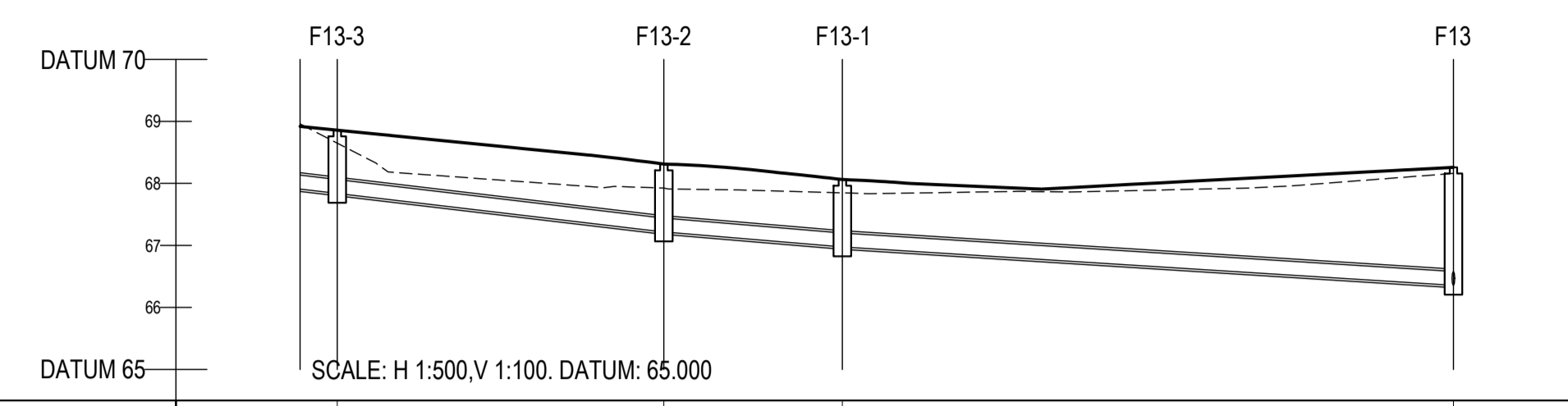
- NOTES:
- ALL DRAWINGS TO BE CHECKED BY CONTRACTOR ON SITE AND ENGINEER INFORMED OF DISCREPANCIES BEFORE WORK COMMENCES
 - ALL LEVELS ARE IN METRES AND ARE RELATED TO ORDNANCE DATUM
 - CONTRACTOR SHALL SATISFY HIMSELF AS TO THE ACCURACY OF PAVEMENT LEVELS ON SITE PRIOR TO COMMENCEMENT OF WORKS ON SITE
 - ALL WORKS TO BE CONSTRUCTED IN ACCORDANCE WITH THE NRA SPECIFICATION FOR ROAD WORKS UNLESS NOTED OTHERWISE
 - THIS DRAWING IS FOR PLANNING PURPOSES ONLY
 - MANHOLE COVER LEVELS ARE TO CONFORM WITH FINISHED ROAD AND PATH LEVELS
 - WHERE COVER TO PIPE IS LESS THAN 1200mm (ROAD/PATH/VERGE) OR 900mm (OPEN SPACE) SURROUND PIPE IN MINIMUM 150mm CONCRETE

KEY

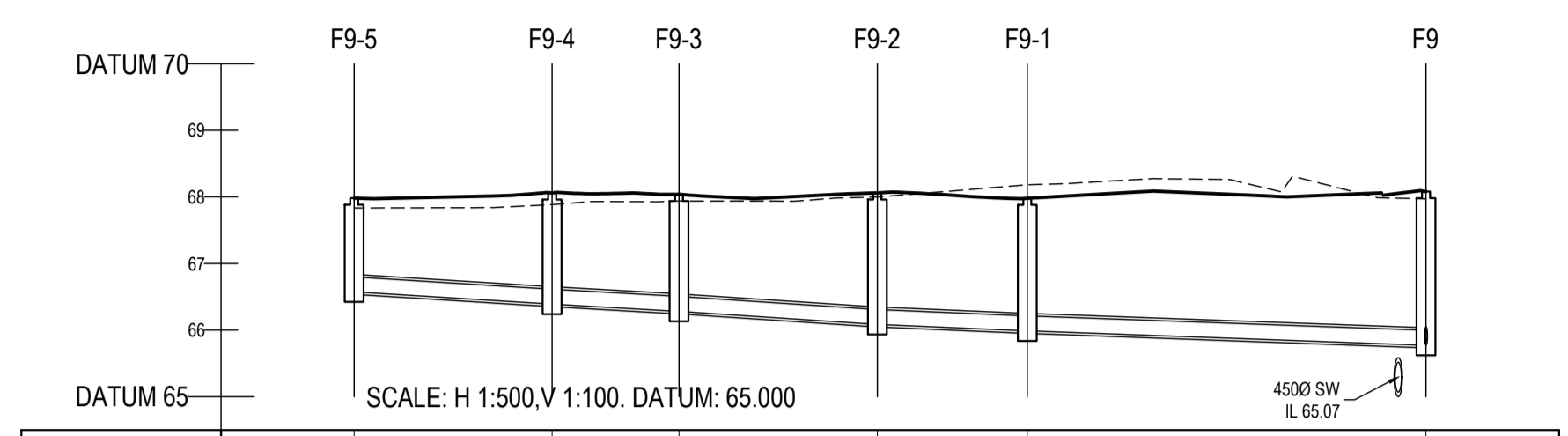
- - - - - EXISTING GROUND PROFILE
- PROPOSED GROUND PROFILE



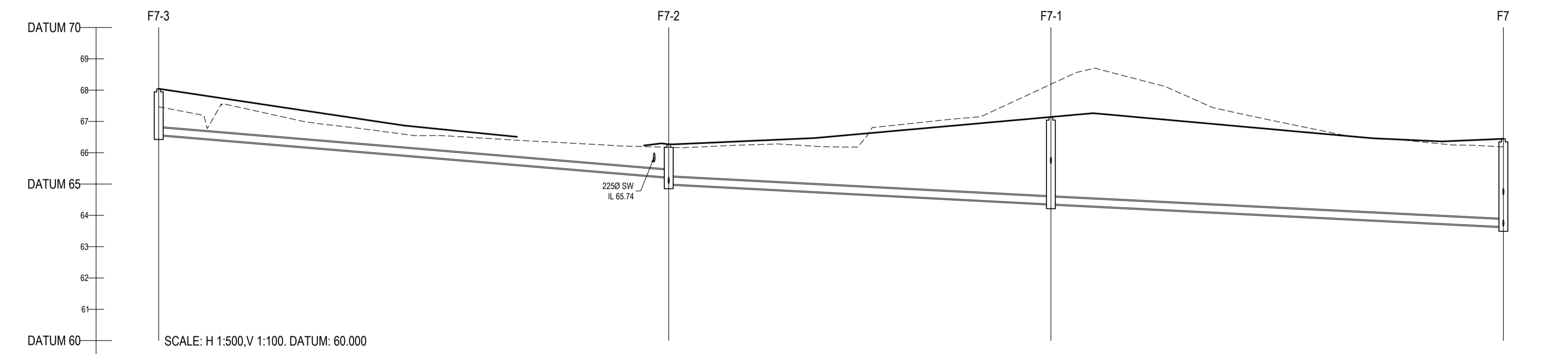
COVER LEVEL	68.377	68.259
INVERT LEVEL	67.375	66.335
DEPTH (m)	0.942	1.904
DISTANCE (m)	35.20	
PIPE SLOPE	1:35	
PIPE SIZE	225mm	



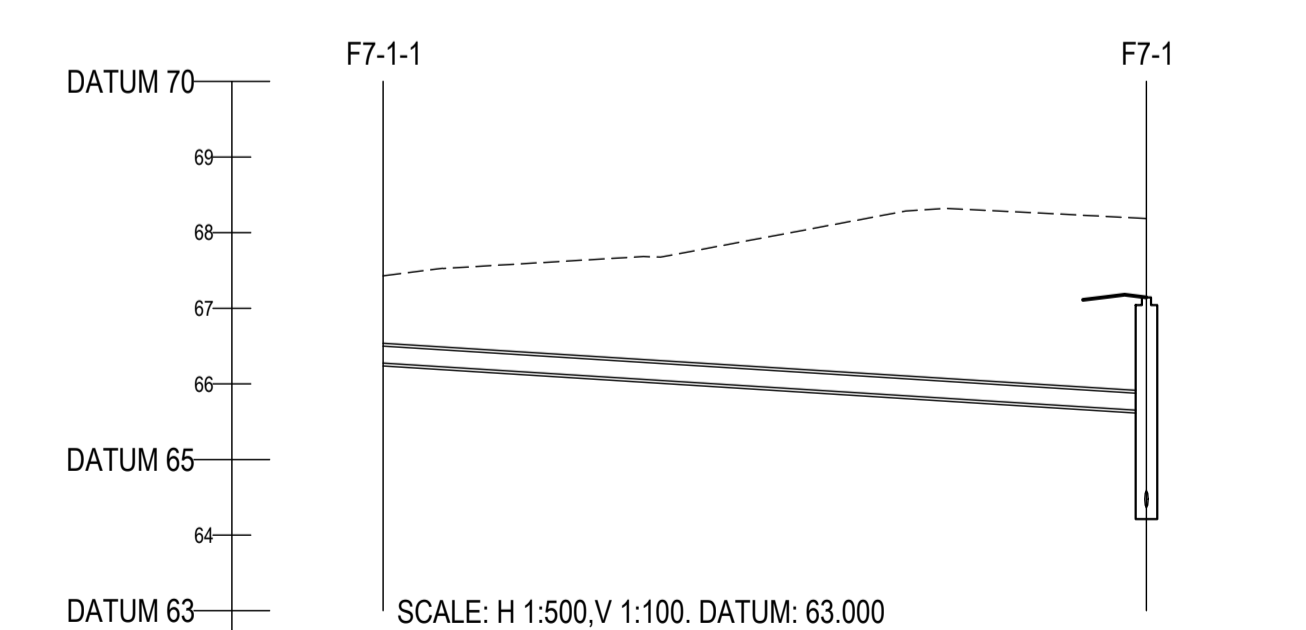
COVER LEVEL	68.689	68.311	68.082	68.259
INVERT LEVEL	67.337	67.216	66.975	66.335
DEPTH (m)	1.021	1.095	1.087	1.904
DISTANCE (m)	3.00	26.31	14.38	49.23
PIPE SLOPE	-1:42	1:42	1:60	1:79
PIPE SIZE	225mm	225mm	225mm	225mm



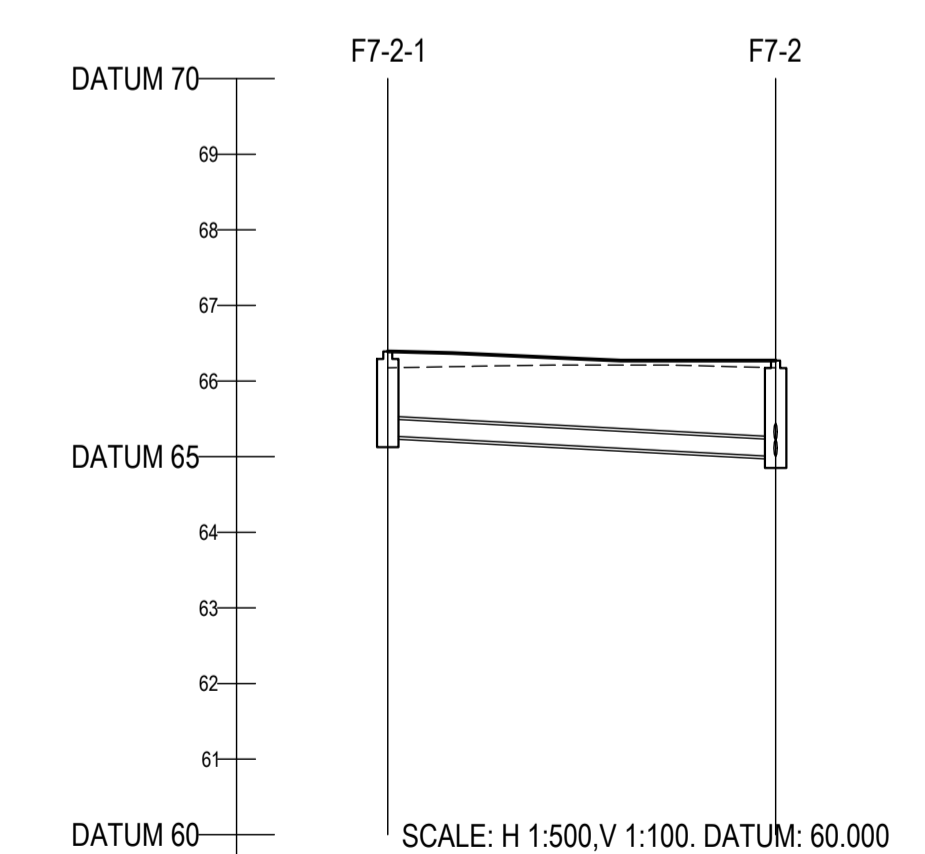
COVER LEVEL	67.962	68.061	68.040	68.000	67.980	68.082
INVERT LEVEL	66.575	66.339	66.281	66.005	65.989	65.772
DEPTH (m)	1.407	1.672	1.759	1.975	1.992	2.310
DISTANCE (m)	10.000	10.001	10.002	10.002	10.003	10.004
PIPE SLOPE	1:80	1:88	1:76	1:117	1:138	
PIPE SIZE	225mm	225mm	225mm	225mm	225mm	



COVER LEVEL	68.044	66.270	67.143	66.446
INVERT LEVEL	65.575	65.001	64.353	63.841
DEPTH (m)	1.469	1.269	2.790	2.605
DISTANCE (m)	81.43	61.01	72.24	
PIPE SLOPE	1:60	1:96	1:100	
PIPE SIZE	225mm	225mm	225mm	



COVER LEVEL	67.500	67.143
INVERT LEVEL	66.275	65.643
DEPTH (m)	1.225	2.700
DISTANCE (m)	50.49	
PIPE SLOPE	1:80	
PIPE SIZE	225mm	



COVER LEVEL	68.381	66.270
INVERT LEVEL	65.275	65.001
DEPTH (m)	1.116	1.269
DISTANCE (m)	25.65	
PIPE SLOPE	1:94	
PIPE SIZE	225mm	

A	230720	CDS ISSUE	GMC	ED
REV	DATE	DESCRIPTION	BY	CHKD
PLANNING				
DESIGNED	ED	PREPARED	GMC	
DATE	JUL	CHECKED	BK	
Dublin Office: Ormrod House, Upper Ormrod Quay, Dublin 7, Ireland. PHONE +353 1 400 4000 FAX +353 1 400 4050 Waterford Office: Unit 2, The Chandlery, 1-2 O'Connell Street, Waterford, Ireland. PHONE +353 51 308 500 FAX +353 51 844 913 DBFL Consulting Engineers email: info@dbfl.ie site: www.dbfl.ie				

PROJECT
LANDS AT CLONMINCH, TULLAMORE, CO OFFALY

DRG. TITLE
LONGITUDINAL SECTIONS THROUGH FOUL SEWER SHEET 4

CLIENT
STEINFORT INVESTMENTS FUND